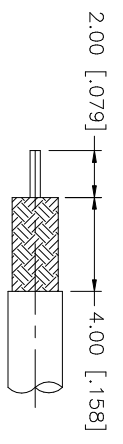
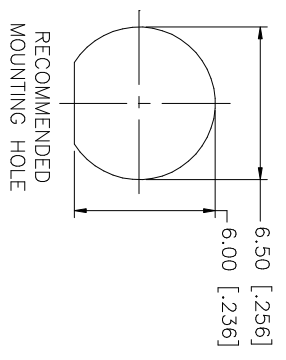
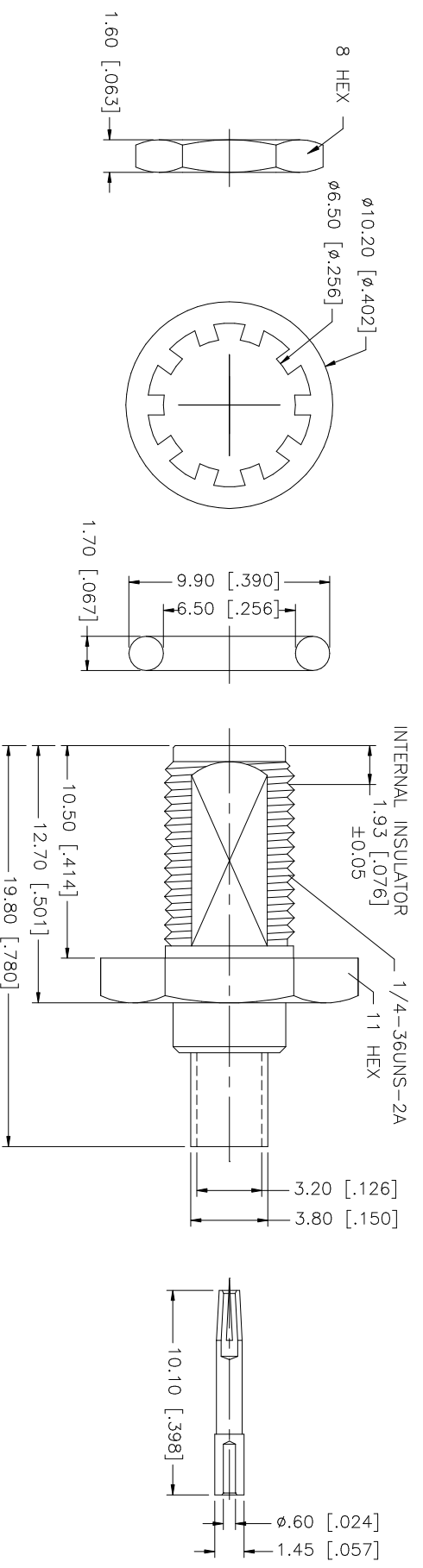
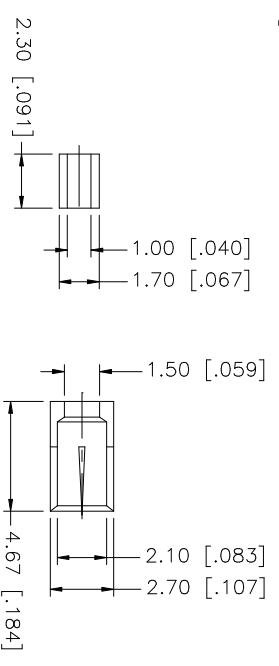


REV.	DATE	DESCRIPTION
A	04/04/01	UPDATE STRIPPING AND FERRULE DIMS
B	06/30/05	UPDATE DRAWING FORMAT



RECOMMENDED
CABLE STRIPPING DIM'S



CRIMP NOTES:
1. CRIMPED FERRULE
HEX CRIMP SIZE .128"

QTY	FINISH	MATERIAL	DESCRIPTION
1	GOLD	COPPER	FERRULE
1	GOLD	BRASS	HEX NUT
1	GOLD	BRASS	LOCK WASHER
1	RED	SILICONE	GASKET
1	GOLD	BER. COPPER	CONTACT PIN
1	NATURAL	TEFLON	INSULATOR
1	GOLD	BRASS	BODY

UNLESS OTHERWISE SPECIFIED DIMENSIONS ARE IN MILLIMETERS DIMENSIONS IN [] ARE IN INCHES AND FOR CUSTOMER REFERENCE ONLY.	UNLESS OTHERWISE SPECIFIED TOLERANCES FOR MILLIMETER ARE:	UNLESS OTHERWISE SPECIFIED TOLERANCES FOR INCHES ARE:
	0.5 - 8mm ± 0.20mm	.020 - .315 ± 0.007"
	8 - 30mm ± 0.40mm	.315 - 1.180 ± 0.015"
	30 - 120mm ± 0.50mm	1.180 - 4.724 ± 0.020"

APPROVALS	DATE
DRAWN G.R.S.	06/30/05
CHECKED	
ISSUED	

PART DESCRIPTION	PART NO.
SMA BULKHEAD CRIMP JACK O-RING SEAL (FOR RG-178B/U, 196A/U CABLE)	1 32286

CAD FILE	DWG. NO.	REV.	SIZE	SCALE
C:/132/132286.DWG	132286.DWG	B	A	NA

Amphenol Connex

SMA BULKHEAD CRIMP JACK O-RING SEAL
(FOR RG-178B/U, 196A/U CABLE)

1 32286