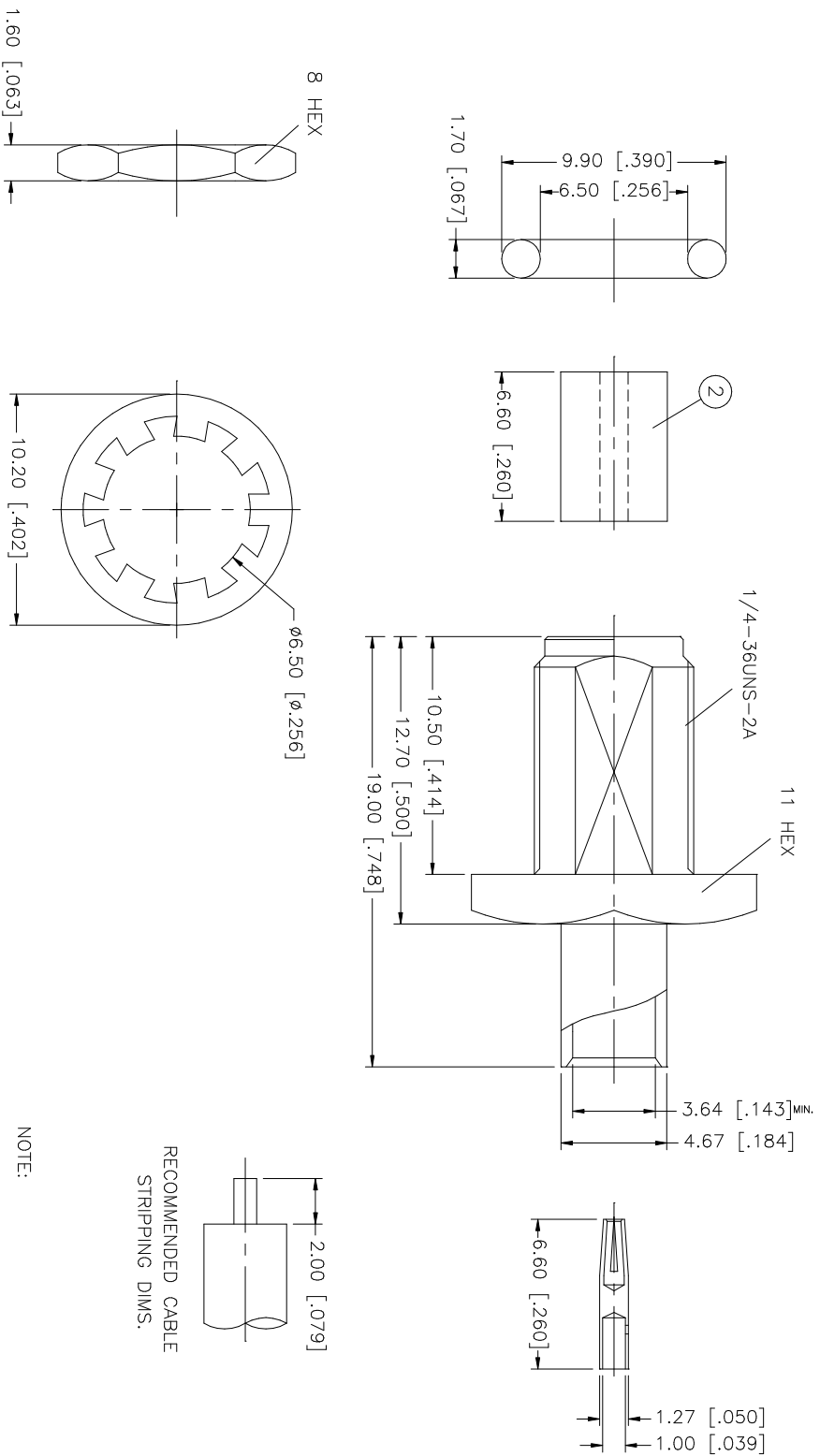


REV.	DATE	DESCRIPTION
B	01/12/98	ADD INSULATOR/ STRIPPING DIM'S
C	02/11/99	MODIFY 'O'-RING DIMENSIONS
D	05/22/03	UPDATE DRAWING FORMAT



NOTE:  
 1. CONTACT PIN TO SOLDER  
 2. MAX. PANEL THICKNESS = 2.4mm

RECOMMENDED CABLE  
 STRIPPING DIMS.

**Amphenol Connex**

SMA DIRECT SOLDER BULKHEAD JACK  
 (FOR .141" SEMI-RIGID CABLE)

QTY	FINISH	MATERIAL	DESCRIPTION
1	GOLD	BRASS	FERRULE
1	GOLD	BRASS	LOCK WASHER
1	RED	SILICONE	GASKET
1	GOLD	BER: COPPER	CONTACT PIN
1	NATURAL	TEFLON	INSULATOR
1	GOLD	BRASS	BODY
			DESCRIPTION

APPROVALS	DATE
DRAWN G.R.S.	05/22/03
CHECKED	
ISSUED	
SHEET 1 OF 1	

DO NOT SCALE DRAWING	QTY	FINISH	MATERIAL	DESCRIPTION
	1	GOLD	BRASS	FERRULE
	1	GOLD	BRASS	LOCK WASHER
	1	RED	SILICONE	GASKET
	1	GOLD	BER: COPPER	CONTACT PIN
	1	NATURAL	TEFLON	INSULATOR
	1	GOLD	BRASS	BODY

UNLESS OTHERWISE SPECIFIED DIMENSIONS ARE IN MILLIMETERS. DIMENSIONS IN [ ] ARE IN INCHES AND FOR CUSTOMER REFERENCE ONLY.
TOLERANCES FOR MILLIMETERS ARE: 0.5 - 8mm ± 0.20mm 8 - 30mm ± 0.40mm 30 - 120mm ± 0.50mm
TOLERANCES FOR INCHES ARE: .020 - .315 = ± 0.007" .315 - 1.180 = ± 0.015" 1.180 - 4.724 = ± 0.020"

CAD FILE	DWG. NO.	REV. D	SIZE A	SCALE NA
C:/132/132106.DWG	132106.DWG	D	A	NA