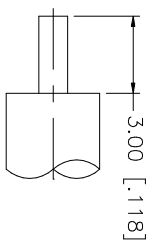
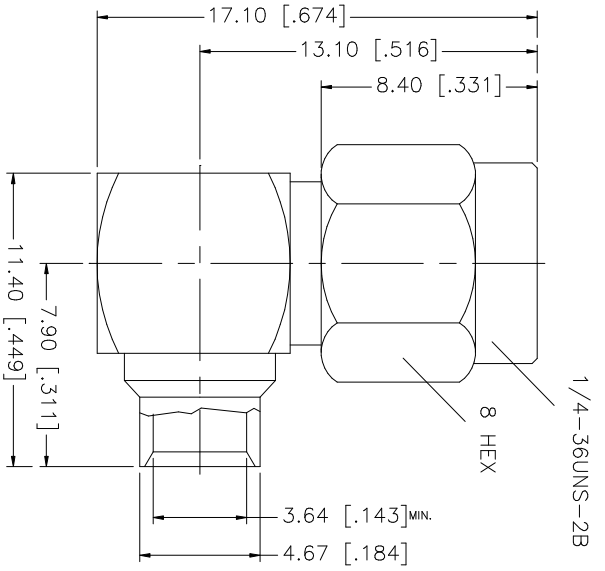
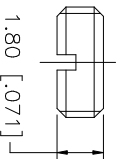


REV.	DATE	DESCRIPTION
NC	05/22/03	INITIAL RELEASE



RECOMMENDED
CABLE STRIPPING DIM'S



QTY	FINISH	MATERIAL	DESCRIPTION
1	GOLD	BRASS	COVER
1	RED	SILICONE	GASKET
1	NATURAL	BER. COPPER	RETAINER RING
1	GOLD	BRASS	CONTACT PIN
1	NATURAL	TEFLON	INSULATOR
1	GOLD	BRASS	BODY
1	GOLD	BRASS	SHELL

APPROVALS	DATE
DRAWN G.R.S.	05/22/03
CHECKED	
ISSUED	
SHEET 1 OF 1	

UNLESS OTHERWISE SPECIFIED DIMENSIONS ARE IN MILLIMETERS. DIMENSIONS IN [] ARE IN INCHES AND FOR CUSTOMER REFERENCE ONLY.
UNLESS OTHERWISE SPECIFIED TOLERANCES FOR MILLIMETERS ARE: 0.5 - 8mm ± 0.20mm 8 - 30mm ± 0.40mm 30 - 120mm ± 0.50mm
UNLESS OTHERWISE SPECIFIED TOLERANCES FOR INCHES ARE: .020 - .315 = ± 0.007" .315 - 1.180 = ± 0.015" 1.180 - 4.724 = ± 0.020"
DO NOT SCALE DRAWING

APPROVALS	DATE
DRAWN G.R.S.	05/22/03
CHECKED	
ISSUED	
SHEET 1 OF 1	

CDW FILE	DWG. NO.	REV.	NC	SIZE	SCALE
C:/132/132112.DWG	132112.DWG			A	NA

PART DESCRIPTION	PART NO.
SMA R/A DIRECT SOLDER PLUG (FOR .141" SEMI-RIGID CABLE)	132112

Amphenol Connex