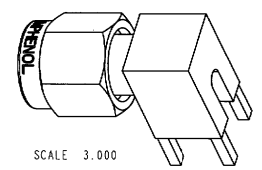
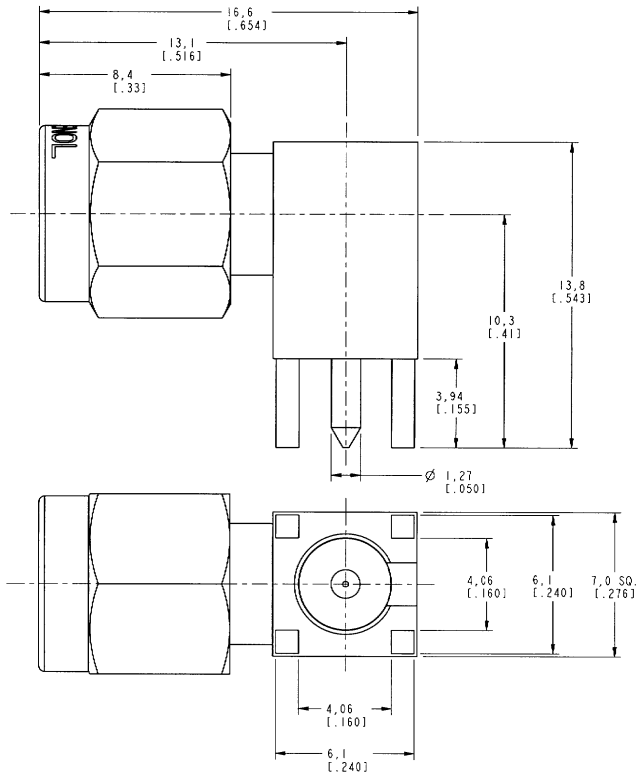


NOTES:

- 1. MATERIALS OF CONSTRUCTION:  
 SHELL, HOUSING WITH BODY - BRASS (Q0-B-626), GOLD PLATED  
 CONTACT PINS (2) - BRASS (Q0-B-626), GOLD PLATED  
 INSULATORS (2) - TEFLON PER MIL-P-19468  
 RETAINER RING = BeCu, NATURAL  
 GASKET = SILICONE RUBBER, COLOR RED  
 COVER = BRASS (Q0-B-613), GOLD PLATED

901-9894-RFX		REVISIONS			
DRAWING NO.	REV	DESCRIPTION	DATE	ECO	APPR
THIRD ANGLE PROJ.	A	RELEASE TO MFG.	1-25-01	43650	CFM



CUSTOMER OUTLINE DRAWING  
FOR REFERENCE ONLY

UNLESS OTHERWISE SPECIFIED, DIMENSIONS ARE IN INCHES AND TOLERANCES ARE: 0.5 - 6mm ±0.2mm 6 - 30mm ±0.4mm 30 - 120mm ±0.5mm	MATERIAL  REFERENCE FAR 967688-0 GENR 901-143-6RFX.ASSY	DRAWN C. McGRATH DATE 1/11/01	TITLE SMA PLUG RIGHT ANGLE PC MOUNT	Amphenol Amphenol Corporation Communication and Network Products Division Danbury, CT U.S.A. 06810 SCALE: 6.0:1 SHEET 2 OF 2	
		ENGINEER D. BARTHELMES DATE 1/11/01			APPROVED  DATE 1/25/01
NOTICE - These drawings, specifications, or other data (1) are, and remain the property of Amphenol Corp. (2) must be returned upon request; and (3) are confidential and not to be disclosed to any person other than those to whom they are given by Amphenol Corp. The furnishing of these drawings, specifications, or other data by Amphenol Corp., or to any other person to anyone for any purpose is not to be regarded by implication or otherwise in any manner licensing, granting rights or permitting such holder or any other person to manufacture, use or sell any product, process or design, patented or otherwise, that may in any way be related to or disclosed by said drawings, specifications, or other data.	CAD FILE 1:\SMA\901-9894-RFX	CODE ID 74868	DWG SIZE B	DRAWING NO. 901-9894-RFX	REV A