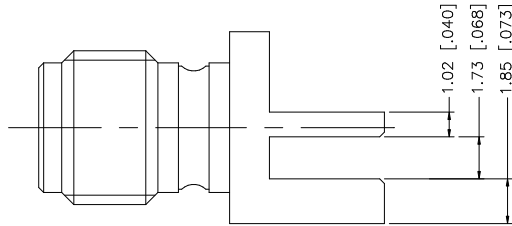
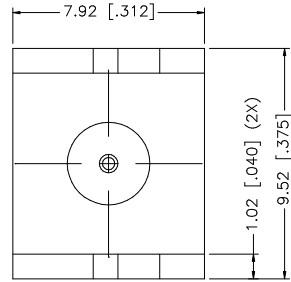
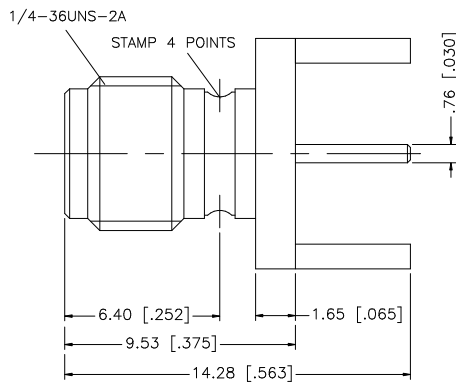


REV.	DATE	DESCRIPTION
NC	04/22/00	INITIAL RELEASE
A	01/11/07	UPDATE DRAWING FORMAT



8					UNLESS OTHERWISE SPECIFIED DIMENSIONS ARE IN MILLIMETERS. DIMENSIONS IN [] ARE IN INCHES AND FOR CUSTOMER REFERENCE ONLY.	APPROVALS	DATE	<h1 style="color: blue; margin: 0;">Amphenol Connex</h1>		
7						DRAWN G.R.S.	01/11/07			
6					CHECKED		PART DESCRIPTION			
5					ISSUED				SMA END LAUNCH RECEPTACLE REVERSE POLARIZED	
4					SHEET 1 OF 1		PART NO.			
3	CONTACT PIN	BER. COPPER	GOLD	1					132255RP	
2	INSULATOR	TEFLON	NATURAL	1	<small>UNLESS OTHERWISE SPECIFIED TOLERANCES FOR MILLIMETERS ARE: 0.5 - 8mm ± 0.20mm 8 - 30mm ± 0.40mm 30 - 120mm ± 0.50mm</small> <small>UNLESS OTHERWISE SPECIFIED TOLERANCES FOR INCHES ARE: .020 - .315 = ± 0.007" .315 - 1.180 = ± 0.015" 1.180 - 4.724 = ± 0.020"</small>	CAD FILE	DWG. NO.	REV.	SIZE	SCALE
1	BODY	BRASS	GOLD	1		DO NOT SCALE DRAWING	C:/132/1132255RP.DWG	132255RP.DWG	A	A