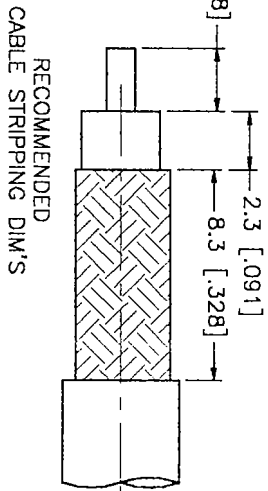
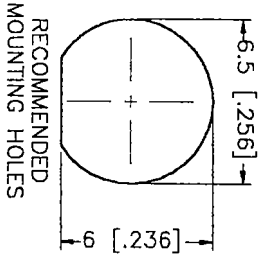
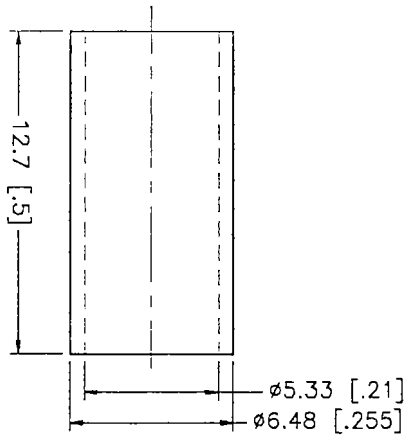
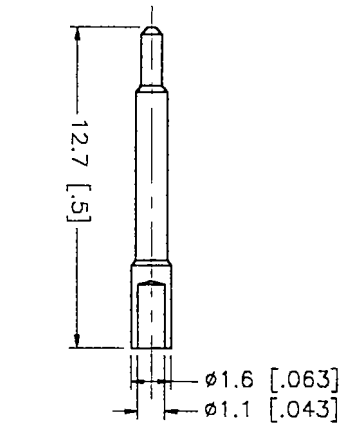
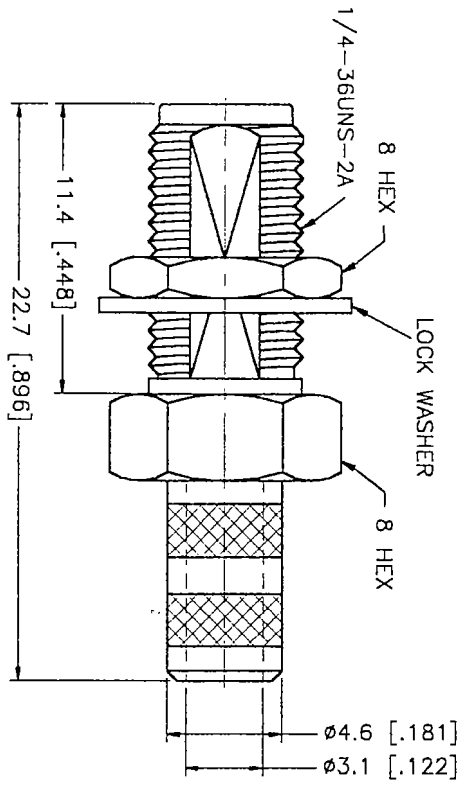


REV.	DATE	DESCRIPTION
NC	09/01/98	INITIAL RELEASE



DESCRIPTION	MATERIAL	FINISH	UNLESS OTHERWISE SPECIFIED DIMENSIONS ARE IN MILLIMETERS FOR CUSTOMER REFERENCE ONLY	APPROVALS	DATE	TITLE	SCALE	PART NO.	SHEET	
1 BODY	BRASS	GOLD	UNLESS OTHERWISE SPECIFIED DIMENSIONS ARE IN MILLIMETERS FOR CUSTOMER REFERENCE ONLY  UNLESS OTHERWISE SPECIFIED TOLERANCES FOR MILLIMETERS ARE: 0.5-8 = ± 0.2 8-30 = ± 0.4 30-120 = ± 0.6 120-315 = ± 1 315-1000 = ± 1.6 1000-2000 = ± 2.4	DRAWN	09/01/98	<b>Comnex</b> Connector Corporation SMA BULKHEAD CRIMP JACK REVERSE POLARIZED(FOR RG-58C, 58/U CABLE)	A	99001	132118-RP.DWG	
2 INSULATOR	TEFLON	NATURAL		CHECKED	G.R.S.					
3 CONTACT PIN	BER. COPPER	GOLD		ISSUED						
4 FERRULE	COPPER	GOLD								
5 LOCK WASHER	BRASS	GOLD								
6 HEX NUT	BRASS	GOLD								
7										
8				DO NOT SCALE DRAWING						