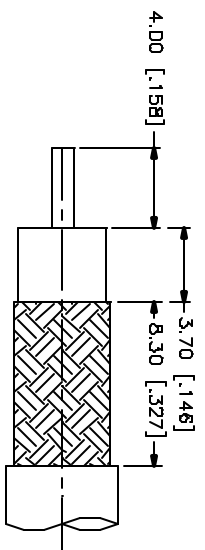
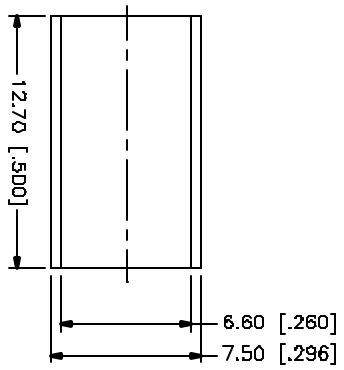
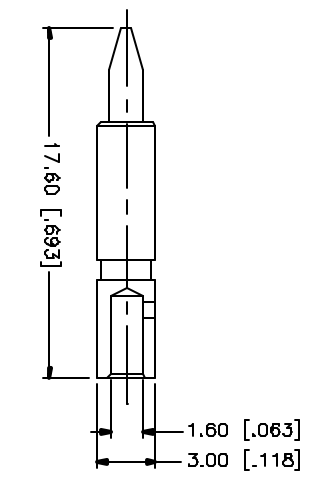
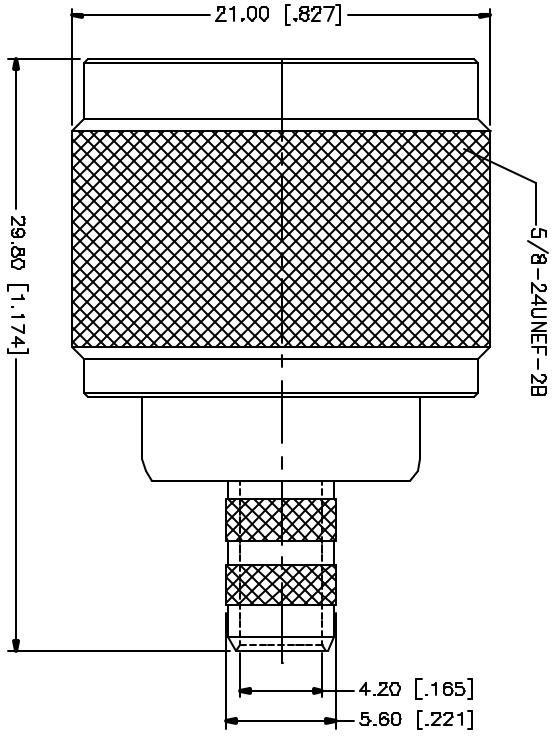


REV.	DATE	DESCRIPTION
A	04/31/03	UPDATE DRAWING FORMAT



RECOMMENDED
CABLE STRIPPING DIM'S

- NOTE:
1. CRIMPED FERRULE
HEX CRIMP SIZE .255"
 2. CRIMPED CONTACT PIN
HEX CRIMP SIZE .100"

QTY	FINISH	MATERIAL	DESCRIPTION
1	NEXCOTE	COPPER	FERRULE
1	COLD	BRASS	CONTACT PIN
1	NATURAL	TEFLON	INSULATOR
1	NEXCOTE	BRASS	BODY

APPROVALS	DATE
DRWN G.R.S.	04/31/03
CHECKED	
ISDAED	
SHEET 1 OF 1	

Amphenol Connex

N CRIMP PLUG
(FOR LMR-240, RG-8/X)

PART NO. 172135

DDO FILE C:/172/172135.DWG

DWG. NO. 172135.DWG

REV. A

SIZE A

SCALE NA

UNLESS OTHERWISE SPECIFIED DIMENSIONS ARE IN MILLIMETERS. DIMENSIONS IN [] ARE IN INCHES AND FOR DISTANCE BETWEEN DIMS.

UNLESS OTHERWISE SPECIFIED DIMENSIONS ARE IN MILLIMETERS AND FOR DISTANCE BETWEEN DIMS.

UNLESS OTHERWISE SPECIFIED DIMENSIONS ARE IN MILLIMETERS AND FOR DISTANCE BETWEEN DIMS.