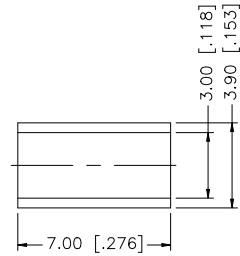
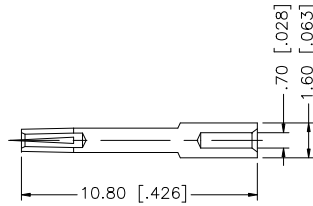
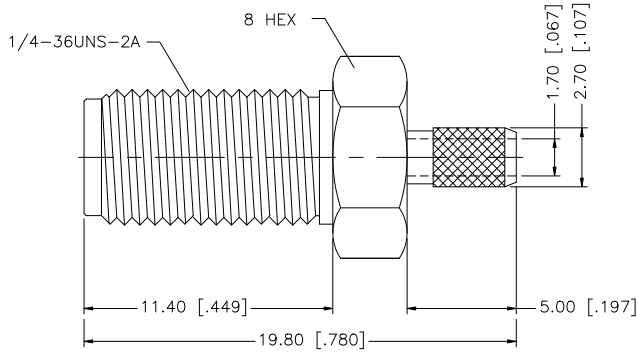
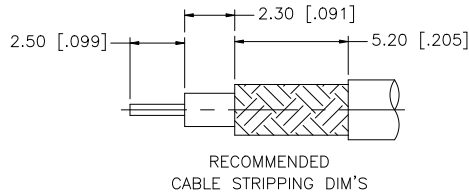


REV.	DATE	DESCRIPTION
A	01/20/04	UPDATE DRAWING FORMAT
B	09/03/07	REVISE BARREL, FERRULE O.D. DIMENSIONS



NOTE:

1. CRIMPED FERRULE
HEX. CRIMP SIZE .128"
2. CONTACT PIN TO SOLDER.

DESCRIPTION	MATERIAL	FINISH	QTY	DO NOT SCALE DRAWING	APPROVALS	DATE	<h2 style="color: blue; margin: 0;">Amphenol Connex</h2>			
8				<small>UNLESS OTHERWISE SPECIFIED DIMENSIONS ARE IN MILLIMETERS. DIMENSIONS IN [] ARE IN INCHES AND FOR CUSTOMER REFERENCE ONLY.</small> <small>UNLESS OTHERWISE SPECIFIED TOLERANCES FOR MILLIMETERS ARE:</small> 0.5 - 8mm ± 0.20mm 8 - 30mm ± 0.40mm 30 - 120mm ± 0.50mm <small>UNLESS OTHERWISE SPECIFIED TOLERANCES FOR INCHES ARE:</small> .020 - .315 = ± 0.007" .315 - 1.180 = ± 0.015" 1.180 - 4.724 = ± 0.020"	DRAWN	G.R.S.		09/03/07	SMA CRIMP JACK (FOR RG-174/U, 188A/U, 316/U CABLE)	
7					CHECKED			PART DESCRIPTION		
6					ISSUED			PART NO.		
5					SHEET	1 OF 1	132117			
4	FERRULE	COPPER	GOLD		1					
3	CONTACT PIN	BER. COPPER	GOLD		1					
2	INSULATOR	TEFLON	NATURAL		1					
1	BODY	BRASS	GOLD		1					
					CAD FILE	C:/132/132117.DWG	DWG. NO. 132117.DWG	REV. B	SIZE A	SCALE NA