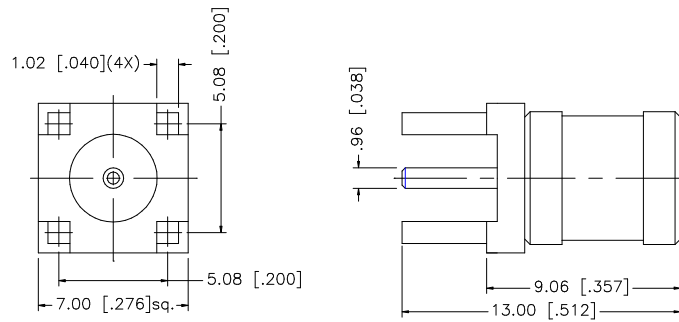


REV.	DATE	DESCRIPTION
NC	10/09/96	INITIAL RELEASE
A	05/29/07	UPDATE DRAWING FORMAT



UNLESS OTHERWISE SPECIFIED DIMENSIONS ARE IN MILLIMETERS. DIMENSIONS IN [] ARE IN INCHES AND FOR CUSTOMER REFERENCE ONLY.

UNLESS OTHERWISE SPECIFIED TOLERANCES FOR MILLIMETERS ARE:
 0.5 - 8mm ± 0.20mm
 8 - 30mm ± 0.40mm
 30 - 120mm ± 0.50mm

UNLESS OTHERWISE SPECIFIED TOLERANCES FOR INCHES ARE:
 .020 - .315 = ± 0.007"
 .315 - 1.180 = ± 0.015"
 1.180 - 4.724 = ± 0.020"

DO NOT SCALE DRAWING

APPROVALS		DATE
DRAWN	G.R.S.	05/29/07
CHECKED		
ISSUED		
SHEET	1 OF 1	
CAD FILE	C:/142/142134.DWG	

Amphenol Connex

PART DESCRIPTION	
STRAIGHT SMB PLUG FOR P.C. BOARD	
PART NO.	142134
DWG. NO.	142134.DWG
REV.	A
SIZE	A
SCALE	NA

DESCRIPTION	MATERIAL	FINISH	QTY
8			
7			
6			
5			
4			
3	CONTACT PIN	BRASS	GOLD 1
2	INSULATOR	TEFLON	NATURAL 1
1	HOUSING/BODY	BRASS	GOLD 1