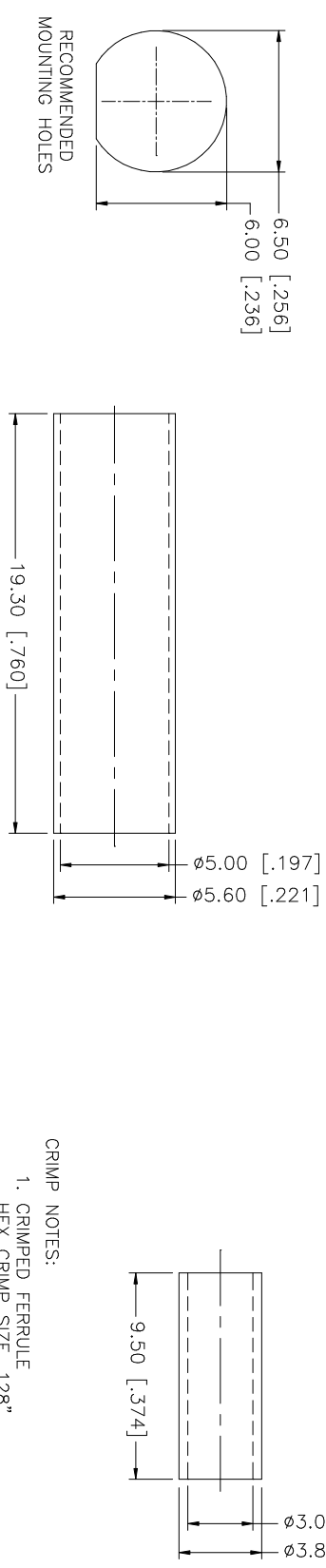
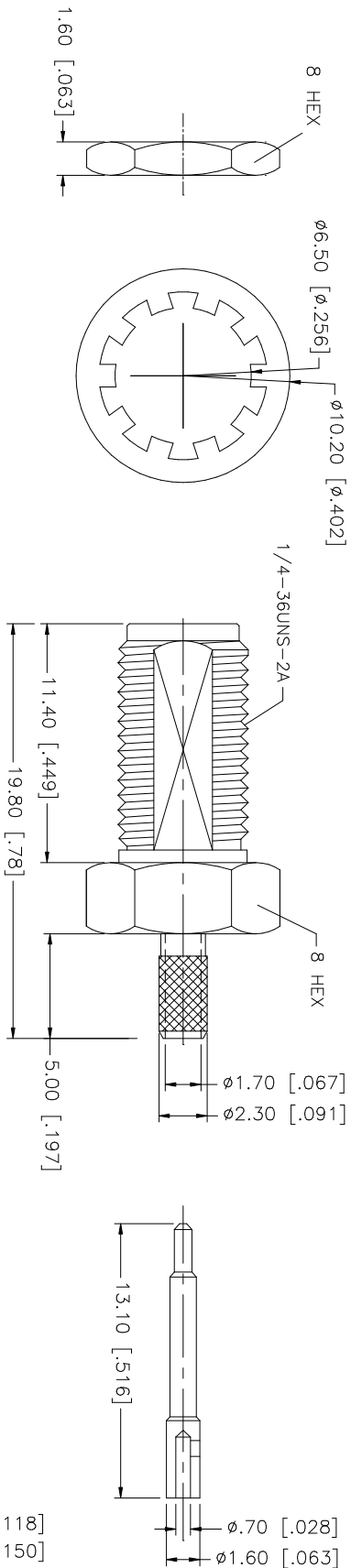
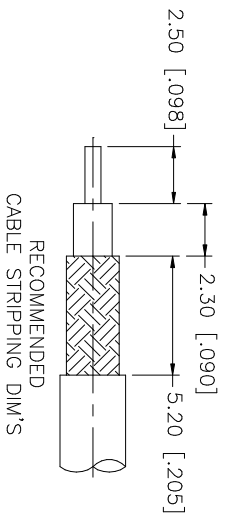


REV.	DATE	DESCRIPTION
A	01/23/04	UPDATE DRAWING FORMAT



QTY	DESCRIPTION	MATERIAL	FINISH	DO NOT SCALE DRAWING	CAD FILE	APPROVALS	DATE	DWG. NO.	REV.	SIZE	SCALE
1	HEAT SHRINK TUBING				C:/132/132119RP.DWG			132119RP.DWG	A	A	NA
1	FERRULE	COPPER	GOLD	UNLESS OTHERWISE SPECIFIED DIMENSIONS ARE IN MILLIMETERS DIMENSIONS IN [] ARE IN INCHES AND FOR CUSTOMER REFERENCE ONLY.							
1	LOCK WASHER	BRASS	GOLD	UNLESS OTHERWISE SPECIFIED TOLERANCES FOR MILLIMETERS ARE:							
1	HEX NUT	BRASS	GOLD	0.5 - 8mm ± 0.20mm							
1	CONTACT PIN	BRASS	GOLD	8 - 30mm ± 0.40mm							
1	INSULATOR BODY	TEFLON	NATURAL	30 - 120mm ± 0.50mm							
1	INSULATOR BODY	BRASS	GOLD	UNLESS OTHERWISE SPECIFIED TOLERANCES FOR INCHES ARE:							
1	INSULATOR BODY	BRASS	GOLD	.020 - .315 = ± 0.007"							
1	INSULATOR BODY	BRASS	GOLD	.315 - 1.180 = ± 0.015"							
1	INSULATOR BODY	BRASS	GOLD	1.180 - 4.724 = ± 0.020"							
	DESCRIPTION	MATERIAL	FINISH	DO NOT SCALE DRAWING	CAD FILE	APPROVALS	DATE	DWG. NO.	REV.	SIZE	SCALE

Amphenol Connex

SMA REVERSE POLARITY BULKHEAD CRIMP JACK

132119RP

CRIMP NOTES:
1. CRIMPED FERRULE
HEX CRIMP SIZE .128"