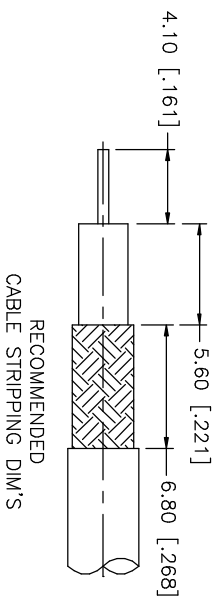
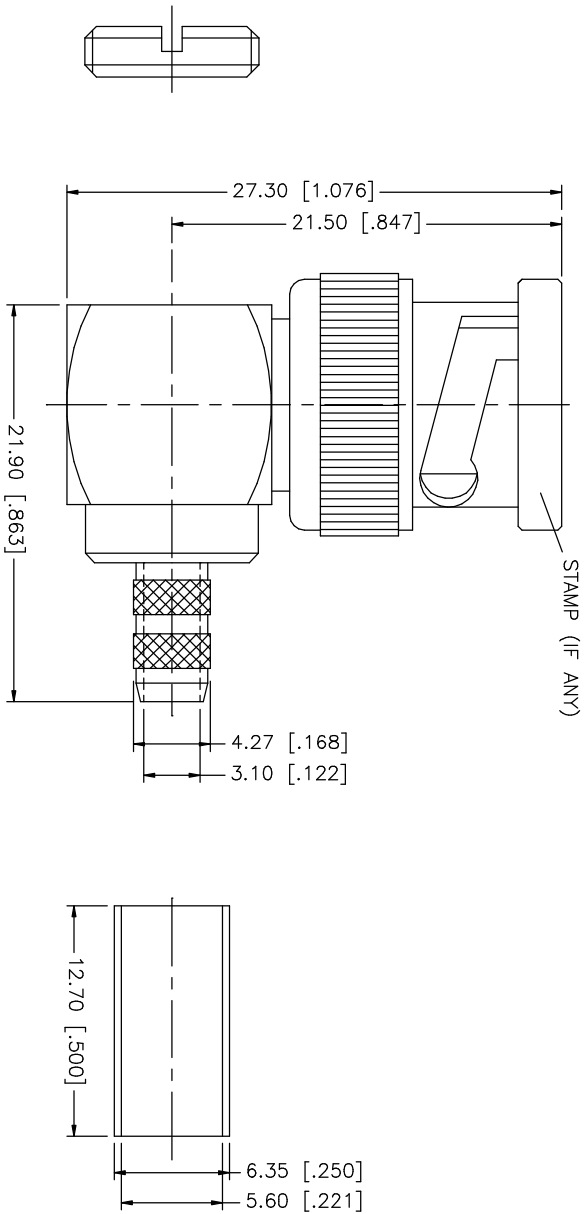


REV.	DATE	DESCRIPTION
A	06/05/03	UPDATE DRAWING FORMAT



NO.	DESCRIPTION	MATERIAL	FINISH	QTY	UNLESS OTHERWISE SPECIFIED, DIMENSIONS ARE IN MILLIMETERS. DIMENSIONS IN [] ARE IN INCHES AND FOR CUSTOMER REFERENCE ONLY. TOLERANCES FOR MILLIMETERS ARE:	APPROVALS	DATE	PART DESCRIPTION
8					UNLESS OTHERWISE SPECIFIED, DIMENSIONS ARE IN MILLIMETERS. DIMENSIONS IN [] ARE IN INCHES AND FOR CUSTOMER REFERENCE ONLY. TOLERANCES FOR MILLIMETERS ARE:			Amphenol Comnex BNC R/A CRIMP PLUG (FOR RG-223/U, 55/U, 142A/U, 400/U)
7					UNLESS OTHERWISE SPECIFIED, DIMENSIONS ARE IN MILLIMETERS. DIMENSIONS IN [] ARE IN INCHES AND FOR CUSTOMER REFERENCE ONLY. TOLERANCES FOR MILLIMETERS ARE:			
6					UNLESS OTHERWISE SPECIFIED, DIMENSIONS ARE IN MILLIMETERS. DIMENSIONS IN [] ARE IN INCHES AND FOR CUSTOMER REFERENCE ONLY. TOLERANCES FOR MILLIMETERS ARE:			
5	NUT	BRASS	NICKEL	1	0.5 - 8mm ± 0.20mm			
4	FERRULE	COPPER	NICKEL	1	8 - 30mm ± 0.40mm			
3	CONTACT PIN	BRASS	GOLD	1	30 - 120mm ± 0.30mm			
2	INSULATOR	DELRIN	NATURAL	1	UNLESS OTHERWISE SPECIFIED, DIMENSIONS ARE IN MILLIMETERS. DIMENSIONS IN [] ARE IN INCHES AND FOR CUSTOMER REFERENCE ONLY. TOLERANCES FOR MILLIMETERS ARE:			
1	SHELL/BODY	BRASS	NICKEL	1	.020 - .315 = ± 0.007" .315 - 1.180 = ± 0.015" 1.180 - 4.724 = ± 0.020"			
DESCRIPTION								
MATERIAL								
FINISH								
QTY								
DO NOT SCALE DRAWING								
CAD FILE								
C:/112/112526.DWG								
DWG. NO.								
112526.DWG								
REV.								
A								
SIZE								
A								
SCALE								
NA								