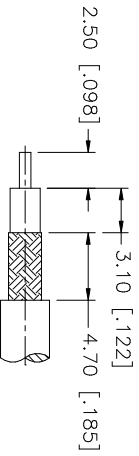
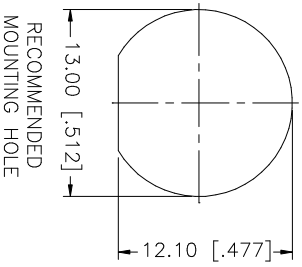
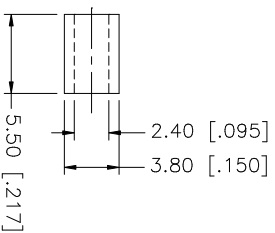
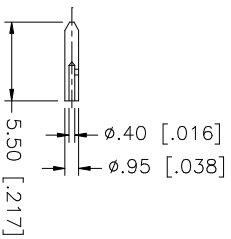
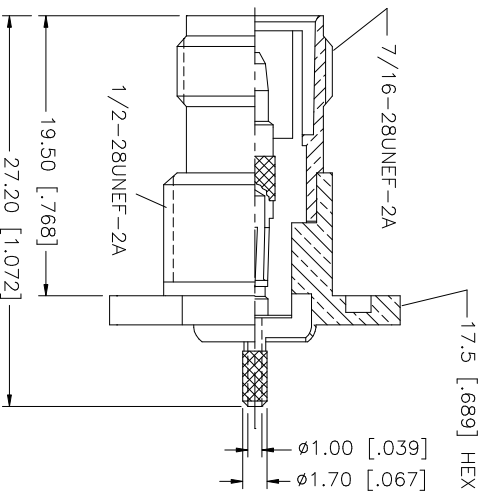
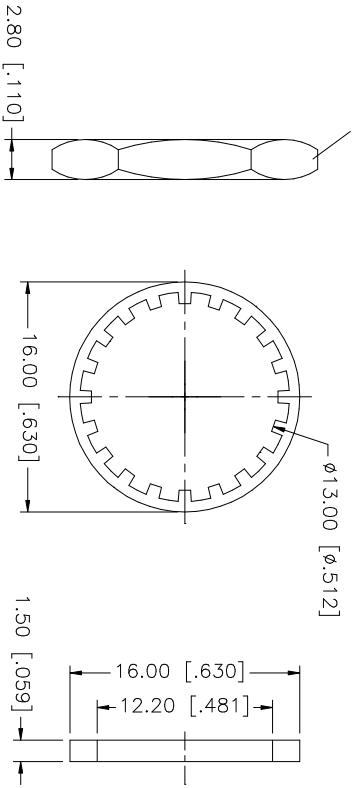


REV.	DATE	DESCRIPTION
A	01/10/04	UPDATE DRAWING FORMAT
B	03/27/05	ADD 17.5 HEX DIMENSION
C	04/12/06	MODIFY INTERNAL X-SECTION

16 [.630] HEX



RECOMMENDED CABLE STRIPPING DIM'S

CRIMP NOTES:

1. CRIMPED FERRULE HEX CRIMP SIZE .128"
2. CRIMPED CONTACT PIN SQ. CRIMP SIZE .7mm
3. MAX. PANEL THICKNESS = 5.0mm

QTY	FINISH	MATERIAL	DESCRIPTION
1	NICKEL	COPPER	FERRULE
1	NICKEL	BRASS	HEX NUT
1	NICKEL	BRASS	LOCK WASHER
1	RED	RUBBER	GASKET
1	GOLD	PHOS. BRONZE	CONTACT PIN
1	NATURAL	TEFLON	INSULATOR
1	NICKEL	BRASS	BODY

APPROVALS	DATE
DRAWN G.R.S.	04/12/06
CHECKED	
ISSUED	

DO NOT SCALE DRAWING	UNLESS OTHERWISE SPECIFIED DIMENSIONS ARE IN INCHES AND FOR CUSTOMER REFERENCE ONLY.	UNLESS OTHERWISE SPECIFIED DIMENSIONS ARE IN MILLIMETERS AND FOR CUSTOMER REFERENCE ONLY.
	UNLESS OTHERWISE SPECIFIED TOLERANCES FOR MILLIMETERS ARE: 0.5 - 8mm ± 0.20mm 8 - 30mm ± 0.40mm 30 - 120mm ± 0.50mm	UNLESS OTHERWISE SPECIFIED TOLERANCES FOR INCHES ARE: .020 - .315 = ± 0.007" .315 - 1.180 = ± 0.015" 1.180 - 4.724 = ± 0.020"

CAO FILE	DWG. NO.	REV.	SIZE	SCALE
C:/122/122370RP.DWG	122370RP.DWG	C	A	NA

PART DESCRIPTION	PART NO.
TNC REVERSE BULKHEAD CRIMP JACK (FOR RG-178B/U, 196A/U CABLE)	122370RP

Amphenol Connex