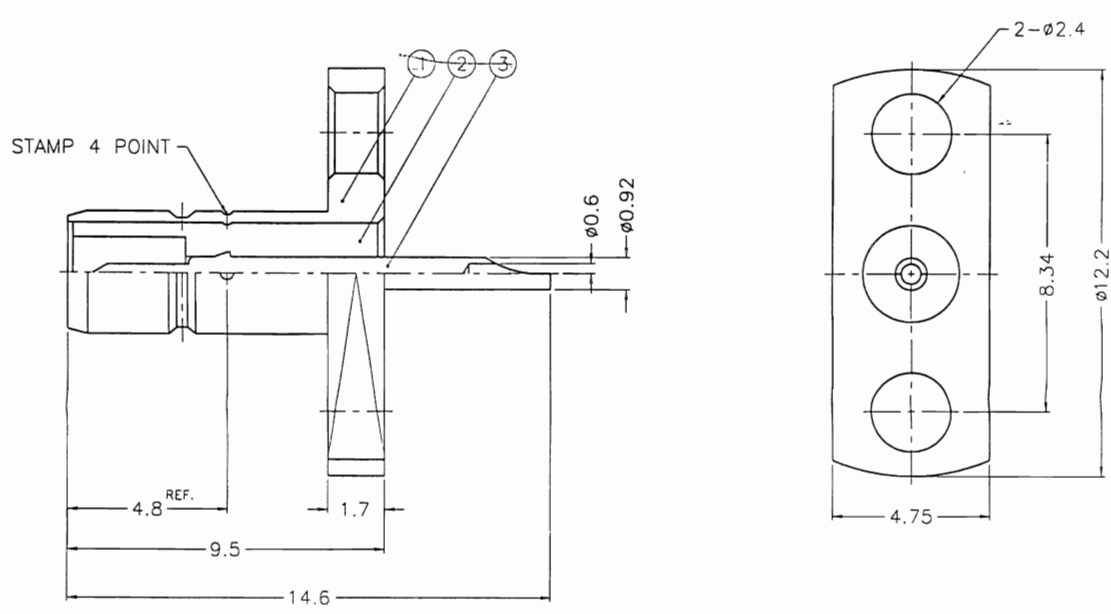


REVISIONS	
ISS	ZONE



- NOTES: FINISH (PLATING THICKNESS IN MICRO-INCHES)
1. BRASS PER QQ-B-626
 2. GOLD PL. 3 MIN. THICK OVER NICKEL PL. 100 MIN. THICK OVER COPPER STRIKE
 3. GOLD PL. 30 MIN. THICK OVER NICKEL PL. 100 MIN. THICK OVER COPPER STRIKE
 4. TEFLON MIL-P-19468

NO.	DESCRIPTION	MATERIAL	FINISH	Q'TY	DRAWING NO.
3	CONTACT PIN		NOTE 1	3	SMB1551B2-3
2	INSULATOR		NOTE 4	NATURAL	1
1	BODY		NOTE 1	NOTE (2)	1
1	BODY		NOTE 1	NOTE (2)	1

DIMENSIONS ARE IN MILLIMETERS		
UNLESS OTHERWISE SPECIFIED TOLERANCES		
0.5-6	= ±0.2	
6-30	= ±0.4	
30-120	= ±0.6	
120-315	= ±1	
315-1000	= ±1.6	
1000-2000	= ±2.4	

PART NO.	
APPROVED	Mark C DATE 09-10-98'
CHECKED	Mark C DATE 09-10-98'
DRAWN	ALEX DATE 09-10-98'

Amphenol Connex	
TITLE	SMB PANEL MOUNT RECEPTACLE JACK
DRAWING NO.	142706 KJ-SMB1551B2-3GT30G-50
FILE NO.	F:\DWG\SMB\1551B2\50\3GT30G