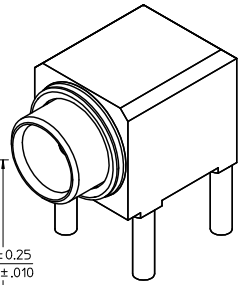
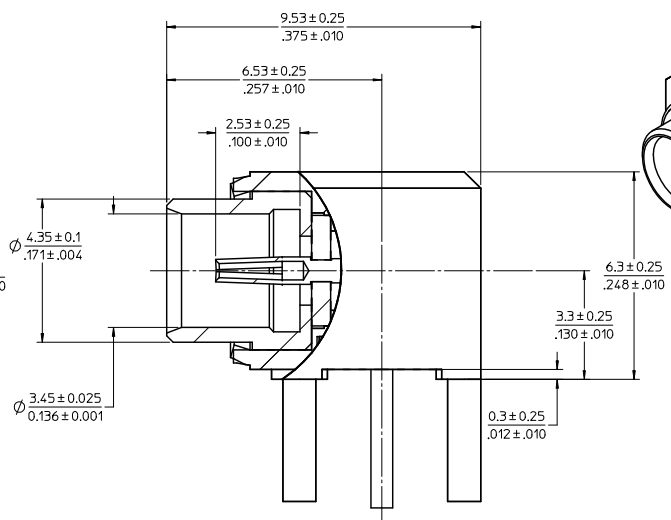
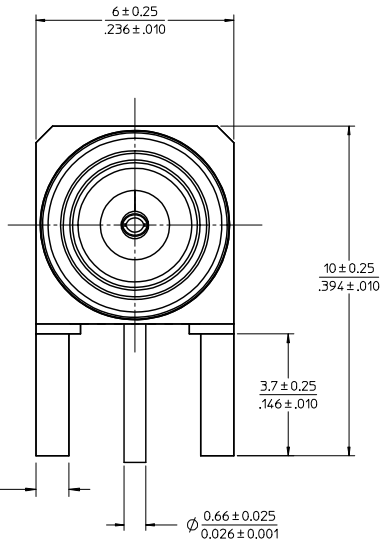


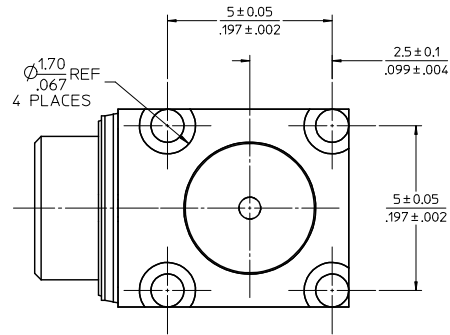
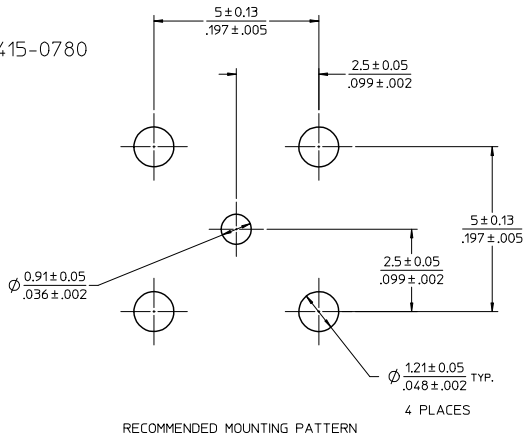
MATERIALS AND FINISHES

- BODY
BRASS
PLATED NICKEL
- CENTER CONTACT
BERYLLIUM COPPER
PLATED GOLD
- INSULATOR
TEFLON
- HOUSING
ZINC ALLOY,
PLATED TIN
- SPECIFICATION
PS-73598-0240
- PACKAGING
TRAY

Ø 1.00 REF
Ø .039
4 PLACES



PART # 73415-0780



| | | | | | |
|--|---|--|---|---|--|
| CHG: INSULATOR MATERIAL WAS TEFELON AND ULTEM ADD Ø 1.00 4 PLACES EEC NO: URF2009-0264 DRAWN: JIMENER 2008/11/18 CHKD: SSHAH 2008/11/18 APPR: JIMENER 2008/11/18 B2 | QUALITY SYMBOLS ▽=0 ▽=0 | GENERAL TOLERANCES (UNLESS SPECIFIED) 4 PLACES ± --- ± --- 3 PLACES ± 0.01 ± --- 2 PLACES ± 0.13 ± --- 1 PLACE ± 0.25 ± --- ANGULAR ± 2 ° | DIMENSION STYLE MM/IN DRAWN BY: GMH DATE: 1998/10/13 CHECKED BY: EDC DATE: 1998/10/13 APPROVED BY: GMH DATE: 1998/10/13 | SCALE: 12:1 DESIGN UNITS: METRIC THIRD ANGLE PROJECTION | TITLE: MCX JACK 75 OHM R/A PCB TYPE MCX-J/RA/PCB MOLEX INCORPORATED |
| | DRAFT WHERE APPLICABLE MUST REMAIN WITHIN DIMENSIONS | | MATERIAL NO.: 734150780 DOCUMENT NO.: SD-73415-078 | SHEET NO.: 1 OF 1 | |
| | THIS DRAWING CONTAINS INFORMATION THAT IS PROPRIETARY TO MOLEX INCORPORATED AND SHOULD NOT BE USED WITHOUT WRITTEN PERMISSION | | | | |
| | SIZE A | | | | |