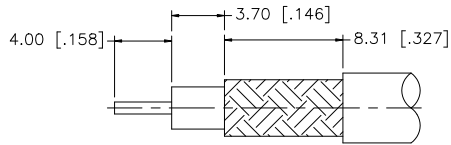
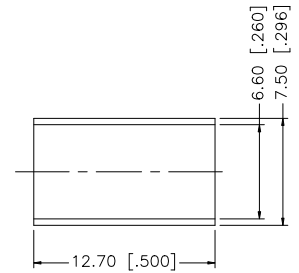
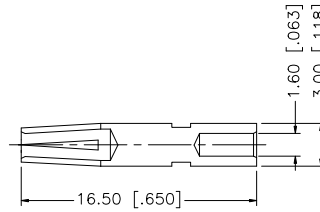
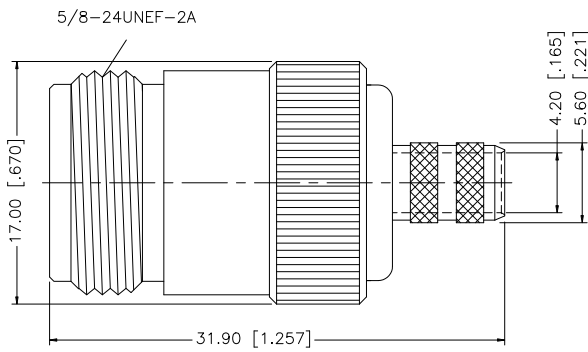


REV.	DATE	ECR NO.	DESCRIPTION
A	12/05/99	-	UPDATE DRAWING
B	01/21/07	-	UPDATE DRAWING FORMAT
C	04/07/08	XXXXXX	REVISE BODY, FERRULE PLATING TO NEXCOTE



RECOMMENDED CABLE STRIPPING DIMS.



UNLESS OTHERWISE SPECIFIED DIMENSIONS ARE IN MILLIMETERS. DIMENSIONS IN [] ARE IN INCHES AND FOR CUSTOMER REFERENCE ONLY.				APPROVALS	DATE	Amphenol Connex	
8				DRAWN G.R.S.	04/07/08		PART DESCRIPTION N CRIMP JACK (FOR RG-8X, LMR240, B7808A CABLE)
7				CHECKED			
6				ISSUED		PART NO. 172148	
5				SHEET 1 OF 1			
4	FERRULE	BRASS	NEXCOTE	1		DWG. NO. 1721248.DWG	
3	CONTACT PIN	BER. COPPER	GOLD	1			REV. C
2	INSULATOR	TEFLON	NATURAL	1		SIZE A	
1	BODY	BRASS	NEXCOTE	1		SCALE NA	
	DESCRIPTION	MATERIAL	FINISH	QTY	CAD FILE C:/172/172148.DWG		

UNLESS OTHERWISE SPECIFIED TOLERANCES FOR MILLIMETERS ARE:
0.5 - 8mm ± 0.20mm
8 - 30mm ± 0.40mm
30 - 120mm ± 0.50mm

UNLESS OTHERWISE SPECIFIED TOLERANCES FOR INCHES ARE:
.020 - .315 = ± 0.007"
.315 - 1.180 = ± 0.015"
1.180 - 4.724 = ± 0.020"

DO NOT SCALE DRAWING