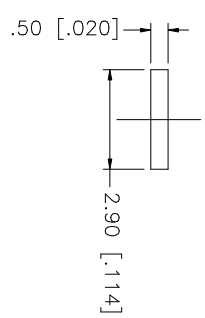
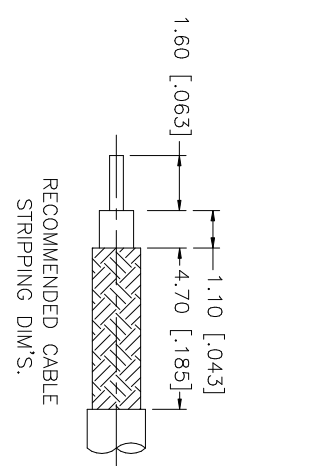
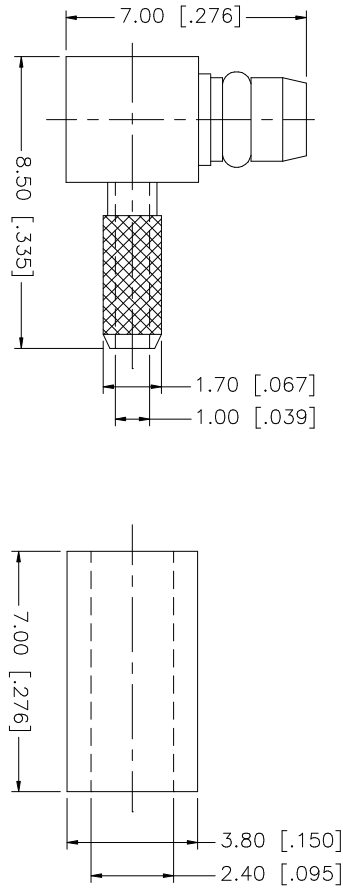


| REV. | DATE | DESCRIPTION |
|------|----------|-----------------------|
| B | 04/31/03 | UPDATE DRAWING FORMAT |



- NOTE:
1. CRIMPED FERRULE
HEX CRIMP SIZE .128"
 2. CONTACT PIN TO SOLDER

| QTY | FINISH | MATERIAL | DESCRIPTION |
|-----|---------|----------|-------------|
| 1 | GOLD | COPPER | FERRULE |
| 1 | GOLD | BRASS | COVER |
| 1 | GOLD | BRASS | CONTACT PIN |
| 1 | NATURAL | TEFLON | INSULATOR |
| 1 | GOLD | BRASS | BODY |

| APPROVALS | DATE |
|--------------|----------|
| DRAWN G.R.S. | 04/31/03 |
| CHECKED | |
| ISSUED | |
| SHEET 1 OF 1 | |

| PART DESCRIPTION | PART NO. |
|--|----------|
| MMCX R/A CRIMP PLUG (FOR RG-178B/U, 196A/U) | 262102 |

| UNLESS OTHERWISE SPECIFIED DIMENSIONS ARE IN INCHES AND FOR CUSTOMER REFERENCE ONLY. | UNLESS OTHERWISE SPECIFIED DIMENSIONS ARE IN MILLIMETERS ARE: |
|--|---|
| 0.5 - 8mm ± 0.20mm | 0.5 - 8mm ± 0.20mm |
| 8 - 30mm ± 0.40mm | 8 - 30mm ± 0.40mm |
| 30 - 120mm ± 0.50mm | 30 - 120mm ± 0.50mm |

| UNLESS OTHERWISE SPECIFIED DIMENSIONS ARE IN INCHES AND FOR CUSTOMER REFERENCE ONLY. | UNLESS OTHERWISE SPECIFIED DIMENSIONS ARE IN MILLIMETERS ARE: |
|--|---|
| .020 - .315 = ± 0.007" | 0.20 - 3.15 = ± 0.007" |
| .315 - 1.180 = ± 0.015" | 3.15 - 11.80 = ± 0.015" |
| 1.180 - 4.724 = ± 0.020" | 11.80 - 47.24 = ± 0.020" |

| DO NOT SCALE DRAWING | CAO FILE |
|----------------------|-------------------|
| | C:/262/262102.DWG |

| DWG. NO. | REV. | SIZE | SCALE |
|------------|------|------|-------|
| 262102.DWG | B | A | NA |

Amphenol **Comnex**