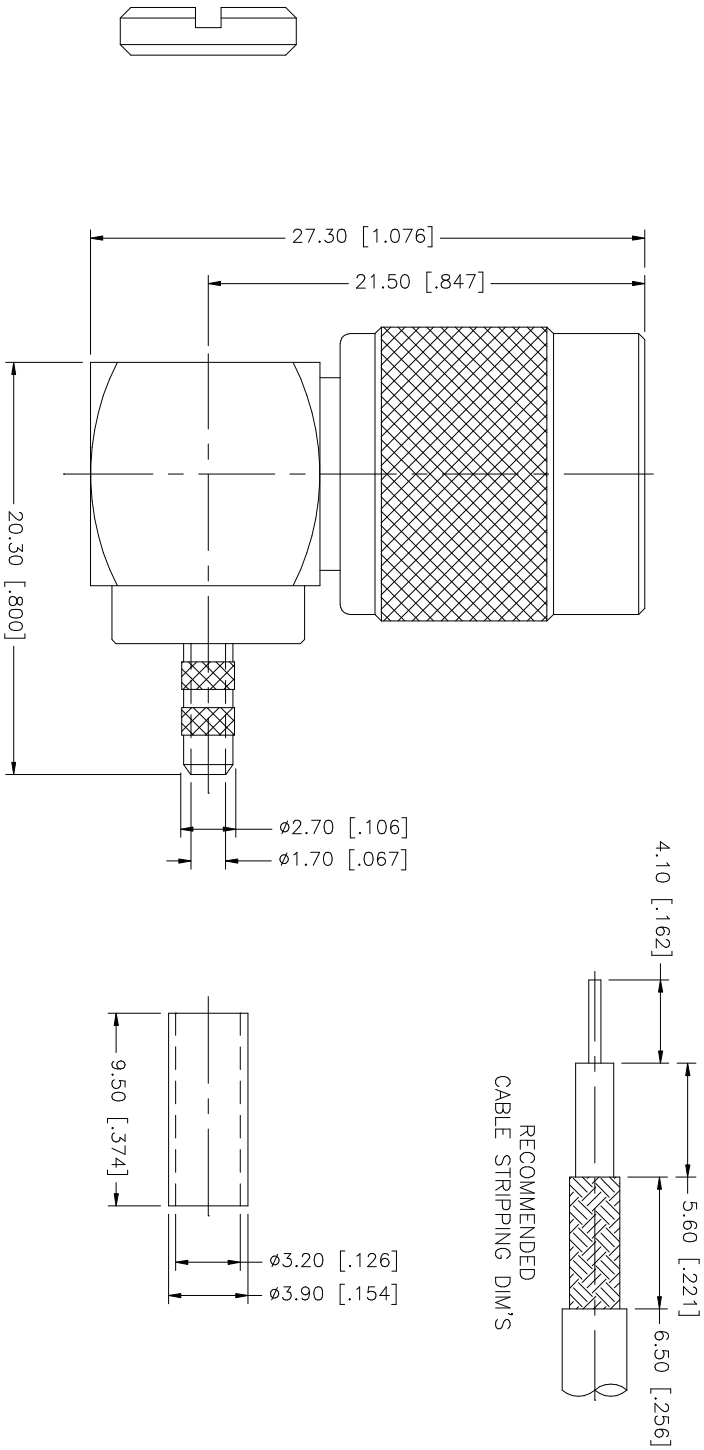


REV.	DATE	DESCRIPTION
A	11/25/03	UPDATE DRAWING FORMAT



NO.	DESCRIPTION	MATERIAL	FINISH	QTY	UNLESS OTHERWISE SPECIFIED DIMENSIONS ARE IN INCHES AND FOR CUSTOMER REFERENCE ONLY.	UNLESS OTHERWISE SPECIFIED DIMENSIONS ARE IN MILLIMETERS AND FOR CUSTOMER REFERENCE ONLY.	APPROVALS	DATE	PART DESCRIPTION							
8							DRAWN	G.R.S.	11/25/03	<p>Amphenol Connex</p> <p>TNC R/A CRIMP PLUG (FOR RG174/U, 188A/U, 316/U CABLE)</p>						
7							CHECKED									
6							ISSUED									
5	NUT	BRASS	NICKEL	1	0.5 - 8mm ± 0.20mm	30 - 120mm ± 0.50mm	SHEET	1 OF 1								
4	FERRULE	BRASS	NICKEL	1	8 - 30mm ± 0.40mm											
3	CONTACT PIN	BRASS	GOLD	1	.020 - .315 = ± 0.007"											
2	INSULATOR	DELIRIN	NATURAL	1	.315 - 1.180 = ± 0.015"											
1	BODY	BRASS	NICKEL	1	1.180 - 4.724 = ± 0.020"											
	DESCRIPTION	MATERIAL	FINISH	QTY	DO NOT SCALE DRAWING		CAD FILE	C:/122/122148.DWG	DWG. NO.	122148.DWG	REV.	A	SIZE	A	SCALE	NA