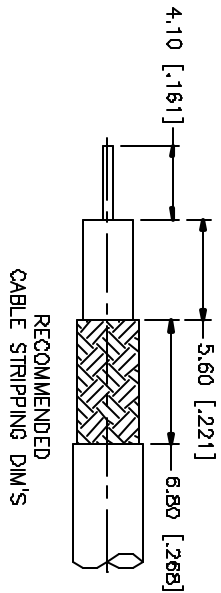
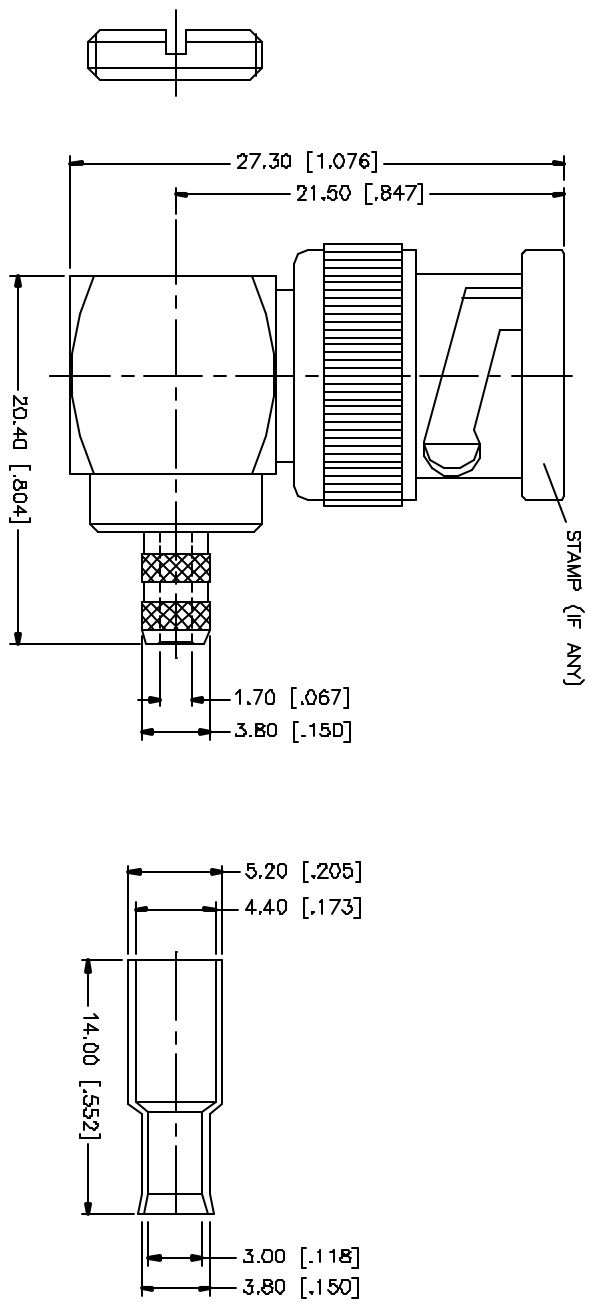


REV.	DATE	DESCRIPTION
A	01/28/03	REVISE BODY DIMENSIONS
B	04/29/04	REMOVE CENTER CONTACT PIN
C	12/30/04	MODIFY BARREL I.D. TO 1.7mm



NO.	DESCRIPTION	MATERIAL	FINISH	QTY
1	SHELL/BODY	BRASS	NICKEL	1
2	INSULATOR	DELRIN	NATURAL	1
3	CONTACT PIN	BRASS	GOLD	1
4	FERRULE	COPPER	NICKEL	1
5	NUT	BRASS	NICKEL	1
6				
7				
8				

UNLESS OTHERWISE SPECIFIED DIMENSIONS ARE IN MILLIMETERS. DIMENSIONS IN INCHES ARE IN PARENTHESES AND FOR CONVERSION PURPOSES ONLY. TOLERANCES FOR MILLIMETERS ARE: 0.5 - .8mm ± 0.20mm .8 - .30mm ± 0.40mm .30 - 1.20mm ± 0.50mm UNLESS OTHERWISE SPECIFIED DIMENSIONS FOR INCHES ARE: .020 - .315 ± 0.007" .315 - 1.180 ± 0.015" 1.180 - 4.724 ± 0.020"		APPROVALS DRAWN G.R.S. CHECKED DESIGNED SHEET 1 OF 1	DATE 12/30/04
CAD FILE C:/112/112179.DWG		PART DESCRIPTION Amphenol Commex BNC R/A CRIMP PLUG - 75ohm (FOR RG-179 /U, 187A/U CABLE) 112179	
DWG. NO. 112179.DWG		REV. C	SIZE A SCALE NA