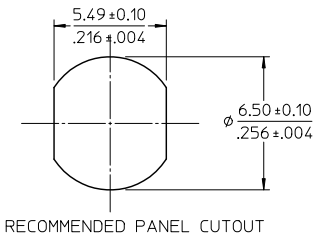
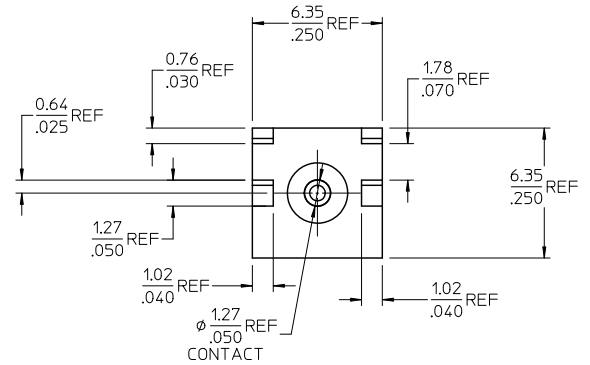
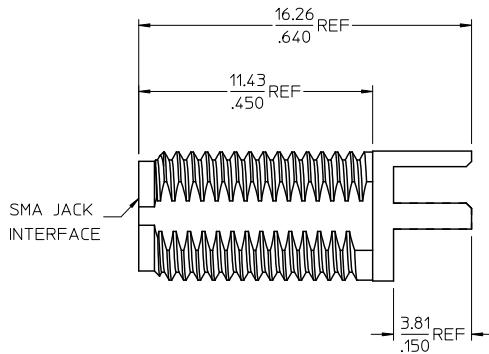
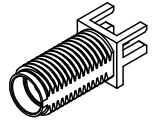


MATERIALS AND FINISHES

BODY: BRASS
PLATED: GOLD

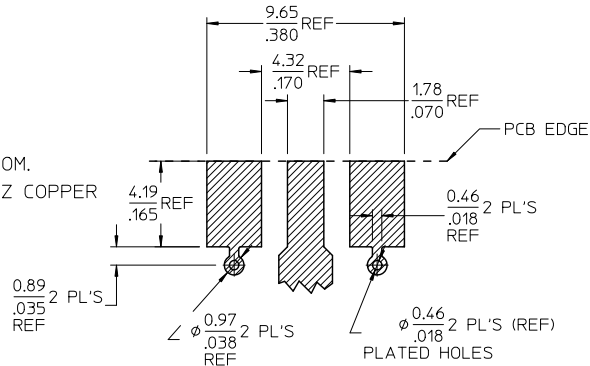
CENTER CONTACT: BeCu
PLATED: GOLD

INSULATOR: TEFLON



RECOMMENDED PAD LAYOUT

BASE WIDTH: 6.35(.250) NOM.
BOARD THICKNESS: 1.57(.062) NOM.
BOARD MATERIAL: FR4 W/1.0 OZ COPPER
BOTH SIDES



PART # 73251-2120

| | |
|--------------------------|-----------------------|
| PS-89675-3370 | PRODUCT SPECIFICATION |
| MIL-STD-348A, FIG. 310.2 | INTERFACE |
| SPECIFICATION | DESCRIPTION |

| | | | | | | |
|--|--|---|---|---|------------------------|------------------------|
| CHG: REMOVED PLATING THICKNESS. EC NO: URF2011-0251 DRAWN: ROBERTSON 2010/10/27 CHKD: SSS APPR: JWIENER 2010/10/27 A3 | QUALITY SYMBOLS ▽=0 ▽=0 | GENERAL TOLERANCES (UNLESS SPECIFIED) | DIMENSION STYLE MM/IN | SCALE | DESIGN UNITS METRIC | THIRD ANGLE PROJECTION |
| | 4 PLACES ± --- ± --- 3 PLACES ± --- ± --- 2 PLACES ± --- ± --- 1 PLACE ± --- ± --- ANGULAR ± 2 ° | DRAWN BY: SSS DATE: 2003/07/09 CHECKED BY: TEF DATE: 2003/07/09 APPROVED BY: JWIENER DATE: 2010/10/27 | TITLE: SMA JACK, EDGE MOUNT .062 BOARD, 50 OHMS, EWR-2074 SMA-J/PCB | MATERIAL NO.: 732512120 DOCUMENT NO.: SD-73251-212 | SHEET NO.: 1 OF 2 | MOLEX INCORPORATED |
| DRAFT WHERE APPLICABLE MUST REMAIN WITHIN DIMENSIONS | | THIS DRAWING CONTAINS INFORMATION THAT IS PROPRIETARY TO MOLEX INCORPORATED AND SHOULD NOT BE USED WITHOUT WRITTEN PERMISSION | | | | |

MATERIALS AND FINISHES

BODY: BRASS
PLATED: GOLD

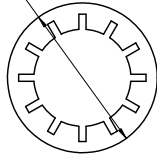
CENTER CONTACT: BeCu
PLATED: GOLD

INSULATOR: TEFLON

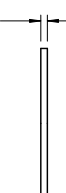
JAM NUT, FLAT WASHER: BRASS
PLATED: GOLD

LOCKWASHER: PHOSPHOR BRONZE
PLATED: GOLD

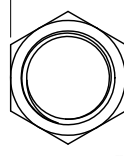
$\frac{10.26}{.404}$ REF



$\frac{0.46}{.018}$ REF



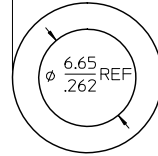
$\frac{7.87}{.310}$ HEX REF



$\frac{1.93}{.076}$ REF



$\frac{10.26}{.404}$ REF



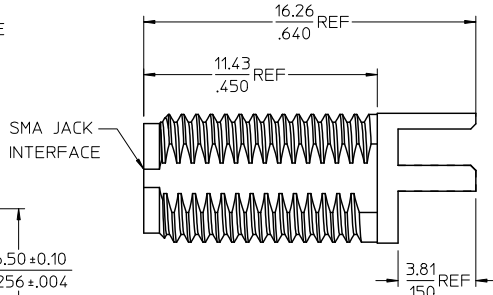
$\frac{0.43}{.017}$ REF



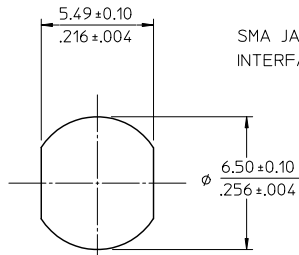
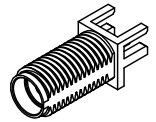
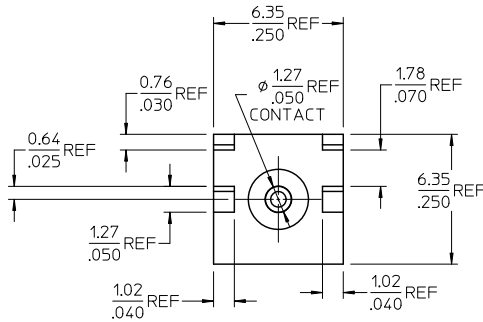
LOCKWASHER
(73251-2121 ONLY)

JAM NUT
73251-2121 AND -2122

FLAT WASHER
(73251-2122 ONLY)



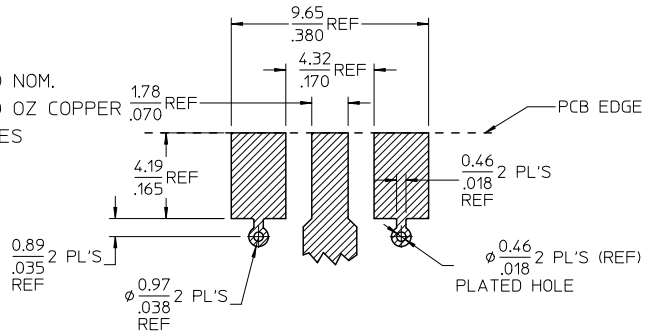
SMA JACK INTERFACE



RECOMMENDED PANEL CUTOUT

RECOMMENDED PAD LAYOUT

BASE WIDTH: 6.35(.250) NOM.
BOARD THICKNESS: 1.57(.062) NOM.
BOARD MATERIAL: FR4 W/1.0 OZ COPPER
BOTH SIDES



PART # 73251-2122 (WITH FLAT WASHER/JAM NUT)

PART # 73251-2121 (WITH LOCKWASHER/JAM NUT)

| | |
|--------------------------|-----------------------|
| PS-89675-3370 | PRODUCT SPECIFICATION |
| MIL-STD-348A, FIG. 310.2 | INTERFACE |
| SPECIFICATION | DESCRIPTION |

| | | | | | | |
|---|--|---|-----------------|-------|--------------|------------------------|
| CHG: SEE SHEET 1 EC NO: URF2011-0251 DRW: ROBERTSON 2010/10/27 CHK: CASS APPR: JWIENER 2010/10/27 | QUALITY SYMBOLS | GENERAL TOLERANCES (UNLESS SPECIFIED) | DIMENSION STYLE | SCALE | DESIGN UNITS | THIRD ANGLE PROJECTION |
| | $\nabla=0$ $\nabla=0$ | 4 PLACES ± .005 3 PLACES ± .005 2 PLACES ± .005 1 PLACE ± .005 ANGULAR ± 2° | MM/IN | | METRIC | |
| | DRAWN BY: SSS CHECKED BY: TEF APPROVED BY: JWIENER | DATE: 2003/07/09 DATE: 2003/07/09 DATE: 2010/10/27 | TITLE | | | |
| | MATERIAL NO.: 732512121 DOCUMENT NO.: SD-73251-212 | | | | | |