

13 12 11 10 9 8 7 6 5 4 3 2 1

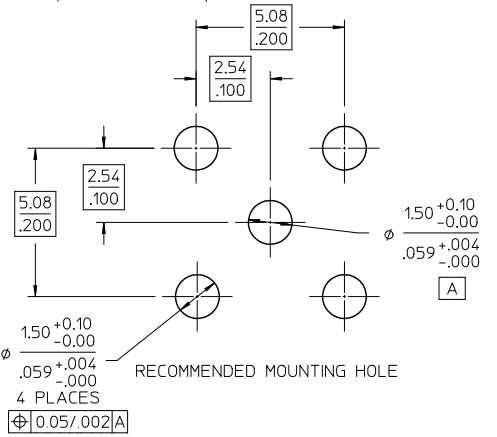
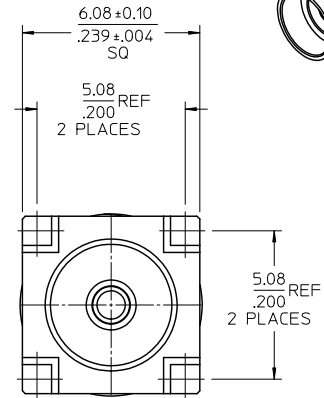
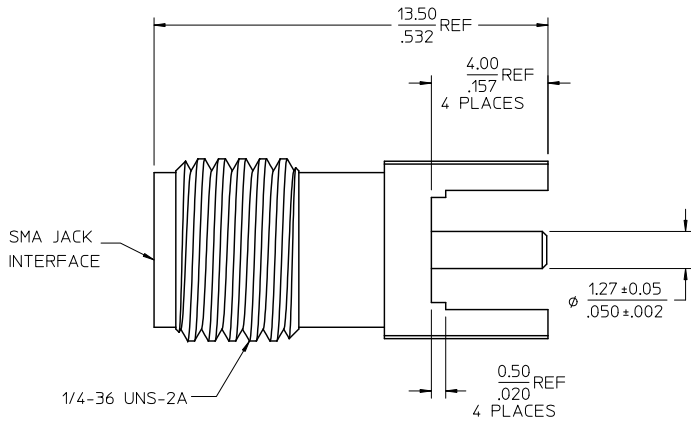
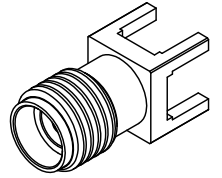
MATERIALS AND FINISHES

BODY BRASS
PLATED GOLD

CENTER CONTACT BERYLLIUM COPPER
PLATED GOLD

INSULATOR TEFLON

PACKAGING: SEE TABLE



73391-0072	73391-0070 BY TRAY (20 CAV.)
73391-0071	ONE PIECE 73391-0070 PER BAG
73391-0070	TRAY (80 CAV.)
PART NO.	PACKAGING

PS-73436-009	ELECTRO/MECH. PERFORM.
SPECIFICATION	DESCRIPTION

CHG: CLARIFIED BAGGING.	EC NO: UBE2010-0369	DATE: 2009/12/18
DRWN: ROBERTSON	DATE: 2009/12/18	
CHKD: SSS	DATE: 2009/12/18	
APPR: WIENER	DATE: 2009/12/18	

QUALITY SYMBOLS	DESCRIPTION
▽=0	
▽=0	

GENERAL TOLERANCES (UNLESS SPECIFIED)	
4 PLACES	± .005
3 PLACES	± .004
2 PLACES	± .003
1 PLACE	± .002
ANGULAR ± 2 °	
DRAFT WHERE APPLICABLE MUST REMAIN WITHIN DIMENSIONS	

DIMENSION STYLE	
MM/IN	
DRAWN BY	LYNN
DATE	1998/10/19
CHECKED BY	XXX
DATE	0000/00/00
APPROVED BY	XXX
DATE	0000/00/00
MATERIAL NO.	SEE TABLE
SIZE	C

SCALE	DESIGN UNITS	THIRD ANGLE PROJECTION
	METRIC	
TITLE: SMA JACK VERTICAL PCB 50 OHMS SMA-J/PCB		
MOLEX INCORPORATED		
DOCUMENT NO.	SD-73391-007	SHEET NO. 1 OF 1
THIS DRAWING CONTAINS INFORMATION THAT IS PROPRIETARY TO MOLEX INCORPORATED AND SHOULD NOT BE USED WITHOUT WRITTEN PERMISSION		

12 11 10 9 8 7 6 5 4 3 2 1

Id_frame_C_P_AM_T Rev. E 2006/04/15