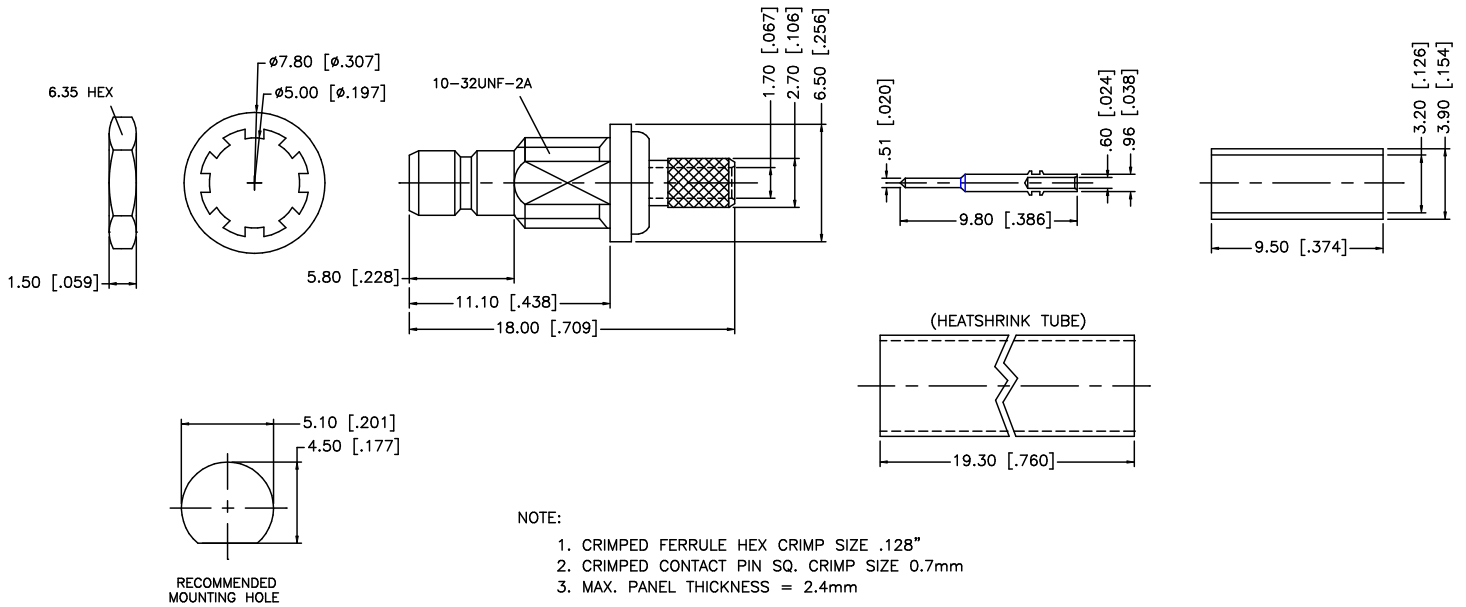
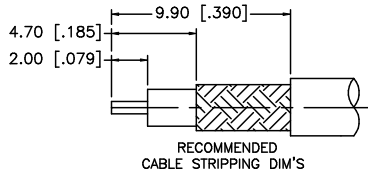


REV.	DATE	DESCRIPTION
A	06/05/03	UPDATE DRAWING FORMAT
B	05/08/07	REVISE BARREL, FERRULE DIMENSIONS



DESCRIPTION	MATERIAL	FINISH	QTY	UNLESS OTHERWISE SPECIFIED DIMENSIONS ARE IN MILLIMETERS. DIMENSIONS IN [ ] ARE IN INCHES AND FOR CUSTOMER REFERENCE ONLY.	APPROVALS	DATE	Amphenol Connex					
8					DRAWN	G.R.S.	05/08/07	<b>SMB BULKHEAD CRIMP JACK (FOR RG-174/U, 188A/U, 316/U)</b>  PART NO. <b>142191</b>				
7	HEAT SHRINK TUBE	BLACK	1	UNLESS OTHERWISE SPECIFIED TOLERANCES FOR MILLIMETERS ARE: 0.5 - 8mm ± 0.20mm 8 - 30mm ± 0.40mm 30 - 120mm ± 0.50mm	CHECKED		PART DESCRIPTION					
6	FERRULE	COPPER	1	UNLESS OTHERWISE SPECIFIED TOLERANCES FOR INCHES ARE: .020 - .315 = ± 0.007" .315 - 1.180 = ± 0.015" 1.180 - 4.724 = ± 0.020"	ISSUED		PART NO.					
5	HEX NUT	BRASS	1		SHEET	1 OF 1	142191					
4	LOCK WASHER	BRASS	1		CAD FILE	C:/142/142191.DWG	DWG. NO.				142191.DWG	REV. B
3	CONTACT PIN	BRASS	1									
2	INSULATOR	TEFLON	1									
1	BODY	BRASS	1									