

MATERIALS AND FINISHES

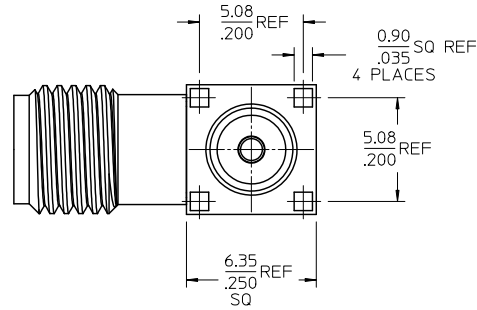
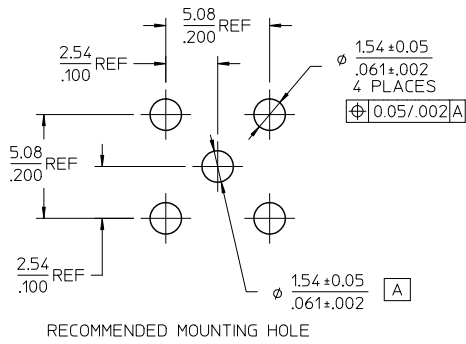
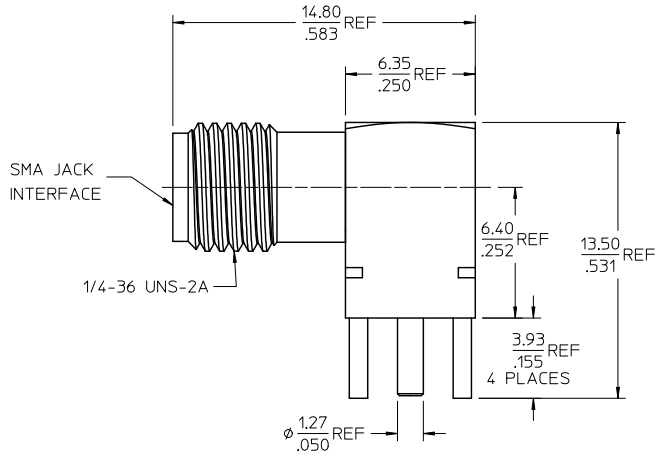
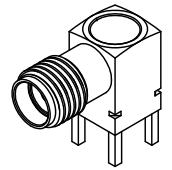
BODY BRASS
PLATED GOLD

CENTER CONTACT BERYLLIUM COPPER
PLATED GOLD

PCB CONTACT BRASS
PLATED GOLD

INSULATOR TEFLON

EXCEPTION TO PRODUCT SPECIFICATION
73598-0111: FREQUENCY RANGE: DC TO 12GHZ



PS-73598-0111	PRODUCT SPECIFICATION
SPECIFICATION	DESCRIPTION

73251-3130	73100-0114, ONE PER BAG
73100-0114	TRAY
PART NO.	PACKAGING

ADDED GROOVE	DESCRIPTION
EC NO. URF2010-0473	
DRWNLIN 2010/01/28	
CHKD LID WANG 1995/09/23	
APPR: MHUANG 2010/02/23	

QUALITY SYMBOLS	GENERAL TOLERANCES (UNLESS SPECIFIED)
▽=0	mm
▽=0	INCH
	4 PLACES ± .010 ± .010
	3 PLACES ± .010 ± .010
	2 PLACES ± .010 ± .010
	1 PLACE ± .010 ± .010
	ANGULAR ± 2 °

DIMENSION STYLE	SCALE	DESIGN UNITS	THIRD ANGLE PROJECTION
MM/MIN	METRIC		
DRAWN BY	DATE	TITLE	
THOMPSON TSN	1993/10/15	SMA JACK R/A PCB, 50 OHMS SMA-J/PCB	
CHECKED BY	DATE		
VLID WANG	1995/09/23		
APPROVED BY	DATE		
MHUANG	2010/02/22		

MATERIAL NO.	DOCUMENT NO.	SHEET NO.
SEE TABLE	SD-73100-0114	1 OF 1
THIS DRAWING CONTAINS INFORMATION THAT IS PROPRIETARY TO MOLEX INCORPORATED AND SHOULD NOT BE USED WITHOUT WRITTEN PERMISSION		