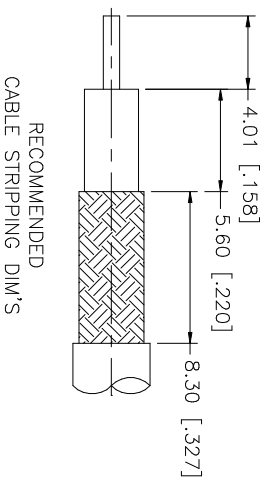
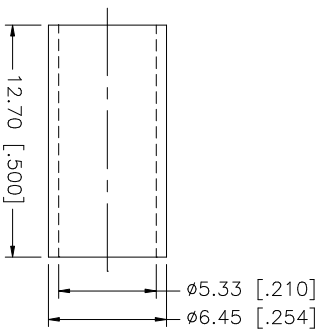
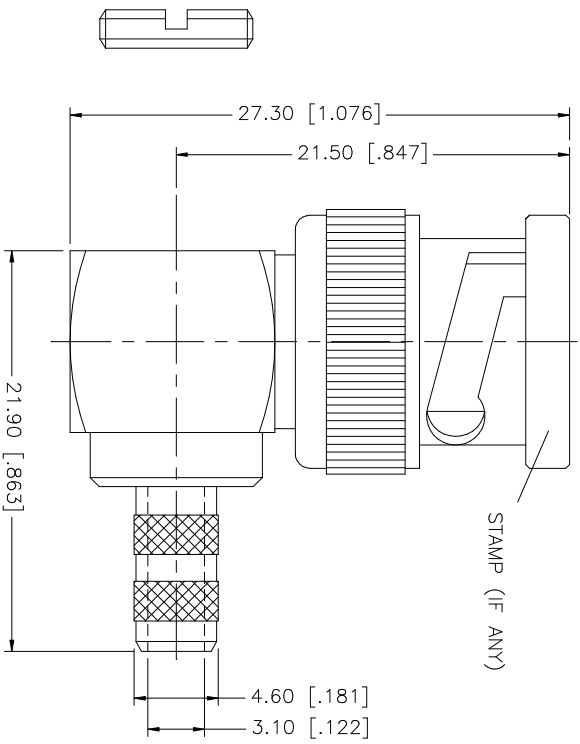


REV.	DATE	DESCRIPTION
NC	02/15/03	INITIAL RELEASE



- NOTE:
1. CRIMPED FERRULE
HEX CRIMP SIZE .213"
 2. CENTER CONTACT TO SOLDER

QTY	FINISH	MATERIAL	DESCRIPTION
1	NICKEL	BRASS	NUT
1	NICKEL	COPPER	FERRULE
1	GOLD	BRASS	CONTACT PIN
1	NATURAL	DELRI	INSULATOR
1	NICKEL	BRASS	BODY

APPROVALS	DATE
DRAWN G.R.S.	02/15/03
CHECKED	
ISSUED	
SHEET 1 OF 1	

PART DESCRIPTION	PART NO.
BNC R/A CRIMP PLUG (FOR RG-58/U, 141/U CABLE)	112162

UNLESS OTHERWISE SPECIFIED DIMENSIONS ARE IN MILLIMETERS. DIMENSIONS IN [] ARE IN INCHES AND FOR CUSTOMER REFERENCE ONLY.	UNLESS OTHERWISE SPECIFIED TOLERANCES FOR MILLIMETERS ARE:	UNLESS OTHERWISE SPECIFIED TOLERANCES FOR INCHES ARE:
	0.5 - 8mm ± 0.20mm	.020 - .315 = ± 0.007"
	8 - 30mm ± 0.40mm	.315 - 1.180 = ± 0.015"
	30 - 120mm ± 0.50mm	1.180 - 4.724 = ± 0.020"

DO NOT SCALE DRAWING	CAD FILE
	C:/112/112162.DWG

DWG. NO.	REV.	SIZE	SCALE
112162.DWG	NC	A	NA

Amphenol Connex

BNC R/A CRIMP PLUG
(FOR RG-58/U, 141/U CABLE)

112162