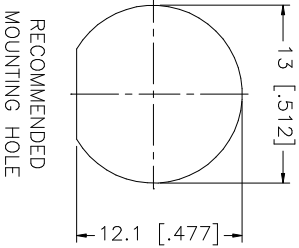
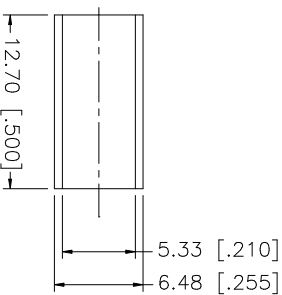
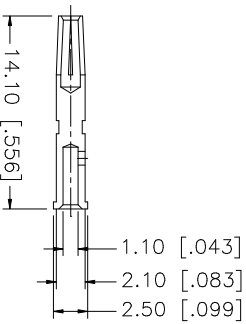
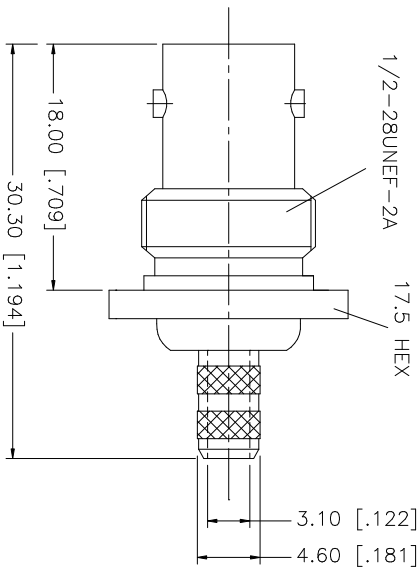
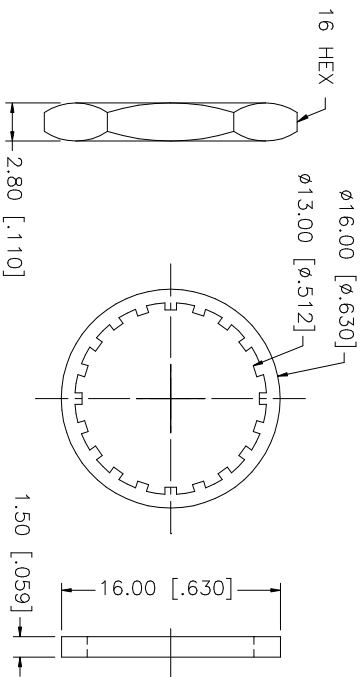
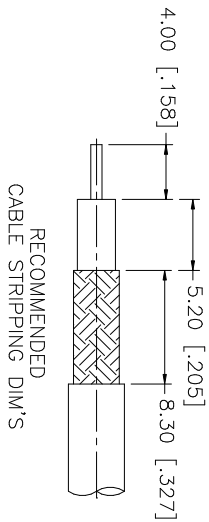


REV.	DATE	DESCRIPTION
NC	07/31/05	INITIAL RELEASE
A	11/02/05	ADD 141/U CABLE TO DESCRIPTION



- CRIMP NOTES:
1. CRIMPED FERRULE  
HEX CRIMP SIZE .213"
  2. CRIMPED CONTACT PIN  
HEX CRIMP SIZE .068"
  3. MAX. PANEL THICKNESS = 3.5mm

9																			
8	FERRULE	COPPER	NICKEL	1															
7	HEX NUT	BRASS	NICKEL	1															
6	LOCK WASHER	BRASS	NICKEL	1															
5	GASKET	RUBBER	RED	1															
4	CONTACT PIN	PHOS. BRONZE	GOLD	1															
3	INSULATOR	TEFLON	NATURAL	1															
2	BODY	BRASS	NICKEL	1															
1	DESCRIPTION	MATERIAL	FINISH	QTY															
UNLESS OTHERWISE SPECIFIED DIMENSIONS ARE IN INCHES AND FOR CUSTOMER REFERENCE ONLY.					UNLESS OTHERWISE SPECIFIED DIMENSIONS ARE IN MILLIMETERS AND FOR CUSTOMER REFERENCE ONLY.					UNLESS OTHERWISE SPECIFIED DIMENSIONS ARE IN MILLIMETERS AND FOR CUSTOMER REFERENCE ONLY.									
UNLESS OTHERWISE SPECIFIED TOLERANCES FOR MILLIMETERS ARE:					UNLESS OTHERWISE SPECIFIED TOLERANCES FOR MILLIMETERS ARE:					UNLESS OTHERWISE SPECIFIED TOLERANCES FOR MILLIMETERS ARE:									
0.5 - 8mm ± 0.20mm					0.5 - 8mm ± 0.20mm					0.5 - 8mm ± 0.20mm									
8 - 30mm ± 0.40mm					8 - 30mm ± 0.40mm					8 - 30mm ± 0.40mm									
30 - 120mm ± 0.50mm					30 - 120mm ± 0.50mm					30 - 120mm ± 0.50mm									
UNLESS OTHERWISE SPECIFIED TOLERANCES FOR INCHES ARE:					UNLESS OTHERWISE SPECIFIED TOLERANCES FOR INCHES ARE:					UNLESS OTHERWISE SPECIFIED TOLERANCES FOR INCHES ARE:									
.020 - .315 = ± 0.007"					.020 - .315 = ± 0.007"					.020 - .315 = ± 0.007"									
.315 - 1.180 = ± 0.015"					.315 - 1.180 = ± 0.015"					.315 - 1.180 = ± 0.015"									
1.180 - 4.724 = ± 0.020"					1.180 - 4.724 = ± 0.020"					1.180 - 4.724 = ± 0.020"									
DO NOT SCALE DRAWING					DO NOT SCALE DRAWING					DO NOT SCALE DRAWING									
APPROVALS		DATE		CAD FILE		DWG. NO.		REV. A		SIZE A		SCALE NA							
DRAWN G.R.S.		11/02/05		C:/112/112202.DWG		112202.DWG		A		A		NA							
PART DESCRIPTION																			
BNC BULKHEAD CRIMP JACK (FOR RG58/U, 141/U CABLE)																			
PART NO. 112202																			
SHEET 1 OF 1																			
ISSUED																			
CHECKED																			

**Amphenol Connex**

BNC BULKHEAD CRIMP JACK  
(FOR RG58/U, 141/U CABLE)

112202