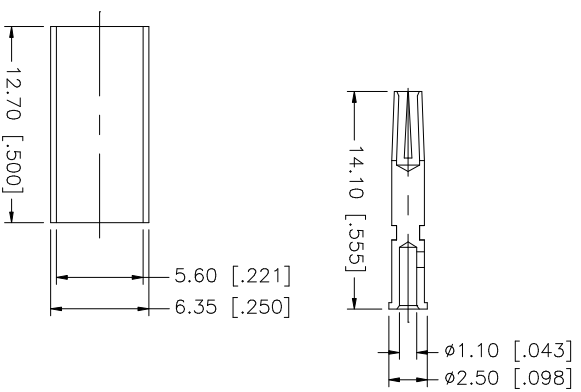
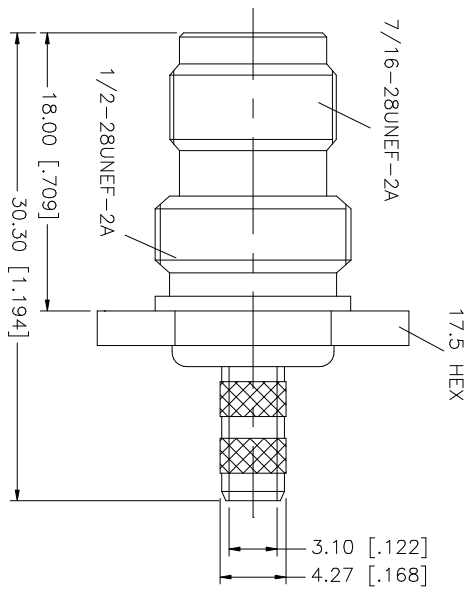
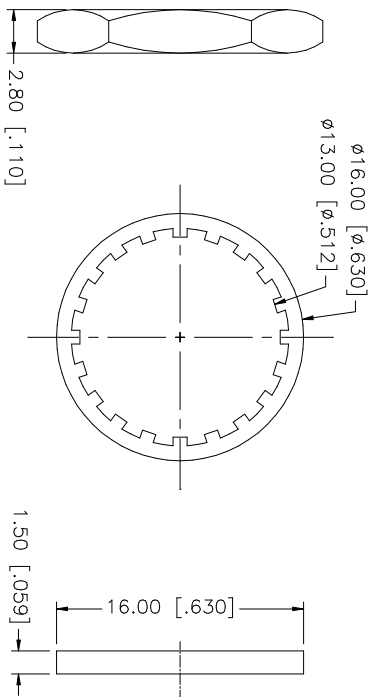
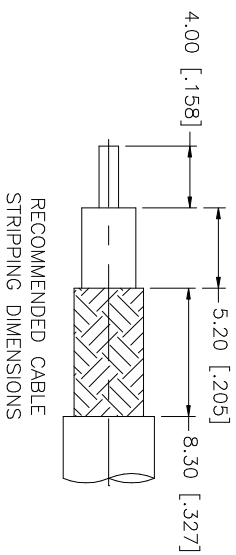
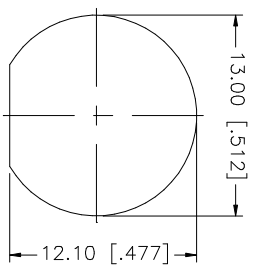


REV.	DATE	DESCRIPTION
NC	05/03/99	INITIAL RELEASE
A	03/20/05	REFORMAT DRAWING
B	11/29/05	MODIFY BARREL AND FERRULE I.D.



RECOMMENDED MOUNTING HOLE



NOTE:

1. FERRULE HEX. CRIMP SIZE .213"
2. CONTACT PIN CRIMP SIZE .068"
3. MAX. PANEL THICKNESS= 3.5mm

QTY	FINISH	MATERIAL	DESCRIPTION
1	NICKEL	COPPER	FERRULE
1	RUBBER	SILICONE	GASKET
1	NICKEL	BRASS	HEX NUT
1	NICKEL	BRASS	LOCKWASHER
1	GOLD	PHOS. BRONZE	CONTACT PIN
1	NATURAL	TEFLON	INSULATOR
1	NICKEL	BRASS	BODY

UNLESS OTHERWISE SPECIFIED, DIMENSIONS ARE IN MILLIMETERS. DIMENSIONS IN INCHES ARE IN INCHES AND FOR CUSTOMER REFERENCE ONLY.	UNLESS OTHERWISE SPECIFIED, DIMENSIONS FOR MILL TO 50 ARE:	UNLESS OTHERWISE SPECIFIED, DIMENSIONS FOR INCHES ARE:
0.5 - 8mm ± 0.20mm	8 - 30mm ± 0.40mm	30 - 120mm ± 0.50mm
TOLERANCES FOR MILL TO 50 ARE:		TOLERANCES FOR INCHES ARE:
.020 - .315 = ± 0.007"		.315 - 1.180 = ± 0.015"
1.180 - 4.724 = ± 0.020"		

APPROVALS	DATE	CAD FILE
DRAWN G.R.S.	11/29/05	C:/122/122363.DWG
CHECKED		
ISSUED		
SHEET 1 OF 1		

PART DESCRIPTION	PART NO.	DWG. NO.	REV.	SIZE	SCALE
TNC BULKHEAD CRIMP JACK (FOR RG-142/U, 223/U, 400/U CABLE)	122363	122363.DWG	B	A	NA

Amphenol Connex

TNC BULKHEAD CRIMP JACK (FOR RG-142/U, 223/U, 400/U CABLE)