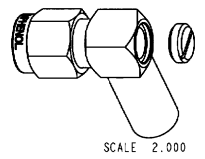
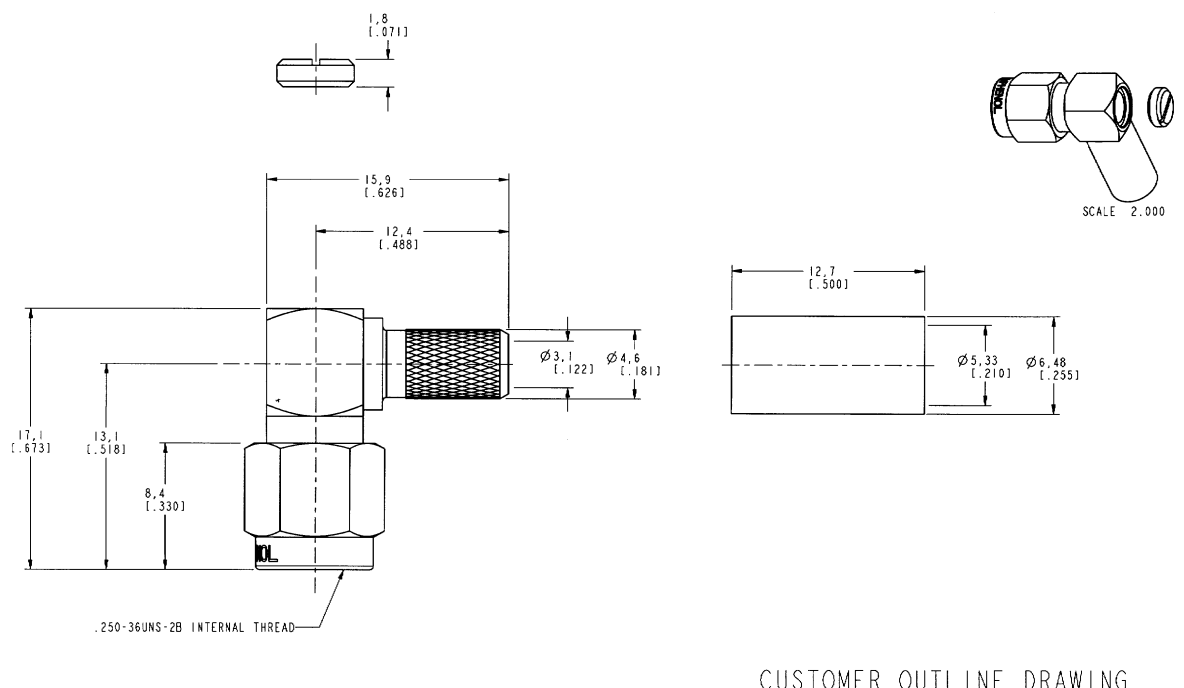


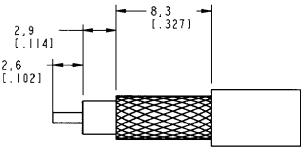
NOTES:

- MATERIALS OF CONSTRUCTION:
 SHELL, HOUSING W/ BARREL & COVER = BRASS, NICKEL PLATED
 FERRULE = COPPER, NICKEL PLATED
 CONTACT PIN = BRASS, GOLD PLATED
 RETAINER RING = BeCu, NATURAL
 INSULATOR = TEFLON, MIL-P-19468
 GASKET = SILICONE RUBBER, COLOR RED
- CRIMPED FERRULE = HEX CRIMP SIZE .213

901-9880-RFX		REVISIONS			
DRAWING NO.	REV	DESCRIPTION	DATE	ECO	APPR
THIRD ANGLE PROJ.	A	RELEASE TO MFG.	1-25-01	43650	CPM



SCALE 2.000



RECOMMENDED CABLE STRIPPING DIMENSIONS
SCALE 3.000

CUSTOMER OUTLINE DRAWING FOR REFERENCE ONLY

UNLESS OTHERWISE SPECIFIED, DIMENSIONS ARE IN INCHES AND TOLERANCES ARE: 0.5 - 6mm ±0.2mm 6 - 30mm ±0.4mm 30 - 120mm ±0.6mm	MATERIAL	DRAWN C. McGRATH ENGINEER O. BARTHELME	DATE 08-Jan-01 DATE 08-Jan-01	TITLE SMA R/A CRIMP PLUG (FOR RG-58C/U, 58/U CABLES)	Amphenol Amphenol Corporation Communication and Network Products Division Danbury, CT U.S.A. 06810 SCALE: 4.0:1 SHEET 2 OF 2	
	REFERENCE EAR# 967698-0 GEN# 901-9881-RFX_ASSY	APPROVED <i>[Signature]</i> CAD FILE I:\SMA\901-9880-RFX	DATE 1/25/01			CODE ID 74868