

13 12 11 10 9 8 7 6 5 4 3 2 1

MATERIALS AND FINISHES

BODY ZINC ALLOY
PLATED NICKEL

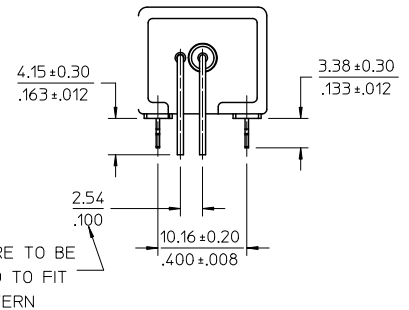
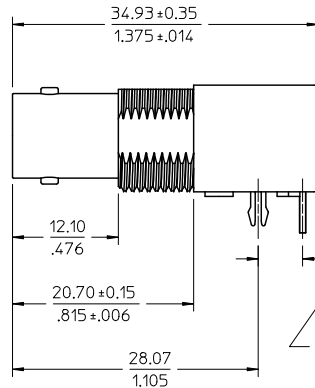
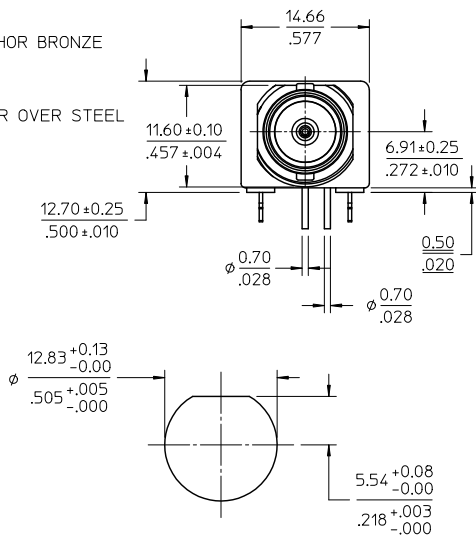
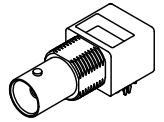
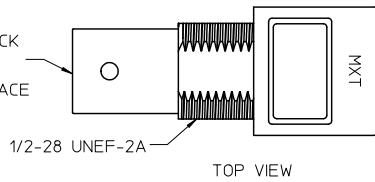
CENTER CONTACT PHOSPHOR BRONZE
PLATED GOLD

INSULATOR POLYPROPYLENE(94V2)

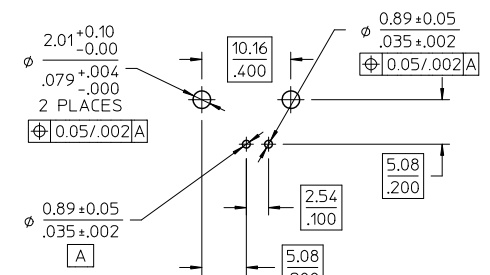
BOARD LOCK PHOSPHOR BRONZE
PLATED TIN

SOLDER TAIL COPPER OVER STEEL
PLATED TIN

BNC JACK
75 OHM
INTERFACE



LEADS ARE TO BE
ADJUSTED TO FIT
PCB PATTERN



RECOMMENDED MOUNTING HOLE
PANEL THICKNESS: 5.40(.216) MAX
RECOMMENDED MOUNTING TORQUE:
1.36 N-m(12 INCH LBS) MAX

RECOMMENDED PCB HOLE
CONFIGURATION

PART # 73101-0120

PS-73598-0051	PRODUCT SPECIFICATION
SPECIFICATION	DESCRIPTION

CHG: ADDED DIMENSION OF SOLDER TAIL PER REF11-E042
REMOVED TEXT *REF*

ECN NO. 2010/12/17
DRAWN BY: DRWINRYEH
CHKD: CHAO-CHIH-ANG
APPR: PHUANG
2010/12/31

QUALITY SYMBOLS
▽=0
▽=0

GENERAL TOLERANCES (UNLESS SPECIFIED)	
	INCH
4 PLACES	±.005
3 PLACES	±.004
2 PLACES	±.003
1 PLACE	±.002
ANGULAR ±.5°	

DIMENSION STYLE	
MM/IN	SCALE
DRAWN BY: LYNN LIN	DATE: 1996/07/12
CHECKED BY:	DATE:
APPROVED BY:	DATE:
MATERIAL NO. 731010120	DOCUMENT NO. SD-73101-0120

DESIGN UNITS	THIRD ANGLE PROJECTION
METRIC	
TITLE: BNC JACK/R/A PCB, 75 OHMS DIE CAST, RECEPTACLE BNC-J/RA/PCB	
MOLEX INCORPORATED	
SHEET NO. 1 OF 1	

DRAFT WHERE APPLICABLE MUST REMAIN WITHIN DIMENSIONS

THIS DRAWING CONTAINS INFORMATION THAT IS PROPRIETARY TO MOLEX INCORPORATED AND SHOULD NOT BE USED WITHOUT WRITTEN PERMISSION