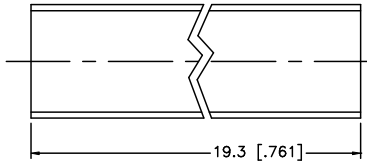
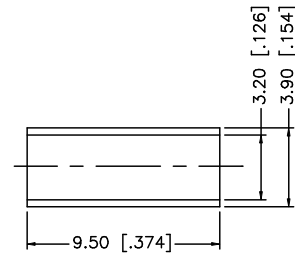
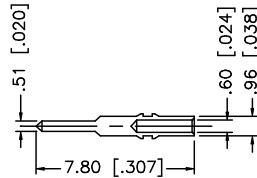
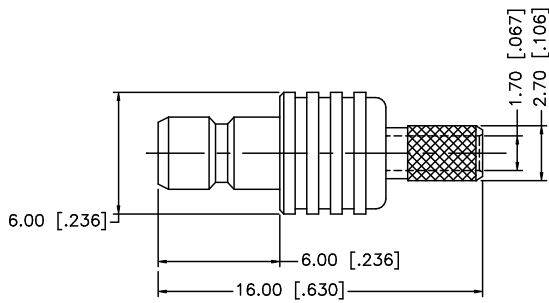
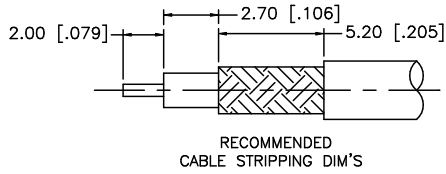


REV.	DATE	DESCRIPTION
A	02/09/06	UPDATE DRAWING FORMAT
B	05/08/07	REVISE BARREL, FERRULE DIMENSIONS



- NOTE:
 1. CRIMPED FERRULE HEX CRIMP SIZE .128"
 2. CRIMPED CONTACT PIN SQ. CRIMP SIZE 0.7mm

DESCRIPTION	MATERIAL	FINISH	QTY	UNLESS OTHERWISE SPECIFIED DIMENSIONS ARE IN MILLIMETERS. DIMENSIONS IN [] ARE IN INCHES AND FOR CUSTOMER REFERENCE ONLY.	APPROVALS	DATE	Amphenol Connex							
8				UNLESS OTHERWISE SPECIFIED TOLERANCES FOR MILLIMETERS ARE: 0.5 - 8mm ± 0.20mm 8 - 30mm ± 0.40mm 30 - 120mm ± 0.50mm UNLESS OTHERWISE SPECIFIED TOLERANCES FOR INCHES ARE: .020 - .315 = ± 0.007" .315 - 1.180 = ± 0.015" 1.180 - 4.724 = ± 0.020"	DRAWN	G.R.S.	05/08/07	PART DESCRIPTION SMB CRIMP JACK (FOR 174/U, 188A/U, 316/U CABLE)						
7					CHECKED									
6					ISSUED			PART NO. 142189						
5	HEAT SHRINK TUBE		1		SHEET	1 OF 1								
4	FERRULE	COPPER	GOLD		1	CAD FILE	C:/142/142189.DWG	DWG. NO.	142189.DWG	REV	B	SIZE	A	SCALE
3	CONTACT PIN	BRASS	GOLD	1	DO NOT SCALE DRAWING									
2	INSULATOR	TEFLON	NATURAL	1										
1	BODY	BRASS	GOLD	1										