

13 12 11 10 9 8 7 6 5 4 3 2 1

MATERIALS AND FINISHES

BODY ZINC ALLOY  
PLATED NICKEL

CENTER CONTACT PHOSPHOR BRONZE  
PLATED GOLD

INSULATOR POLYPROPYLENE(94 V-2)

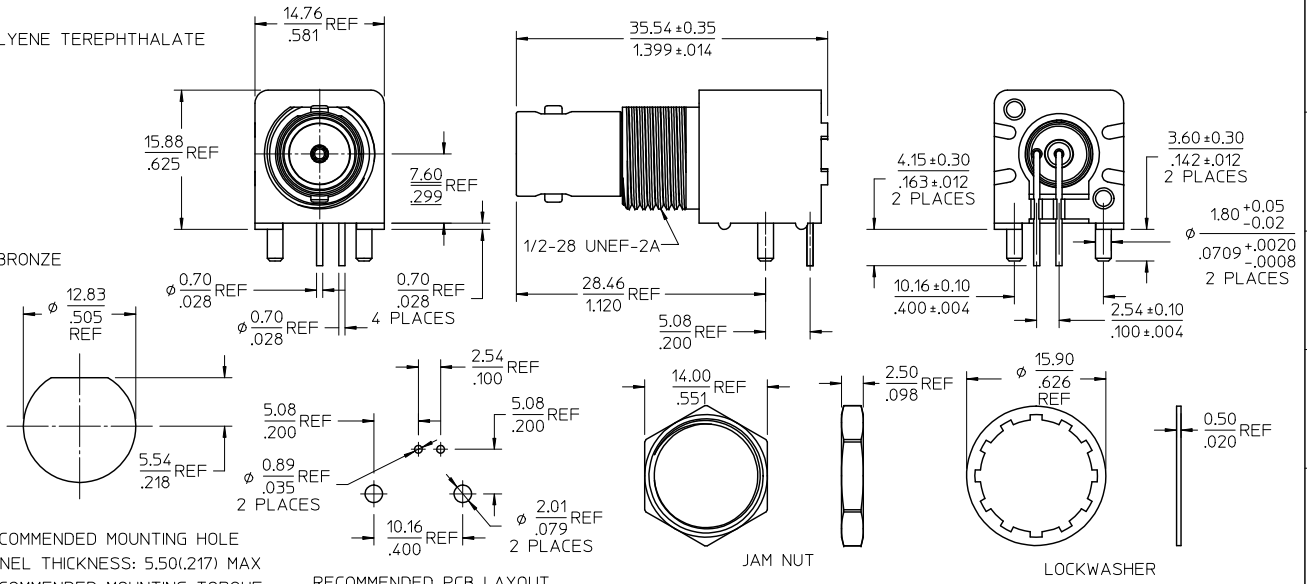
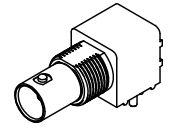
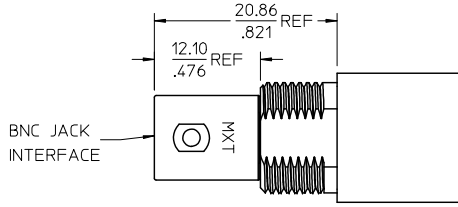
HOUSING POLYESTER BUTLYENE TEREPHTHALATE  
COLOR BLACK

MOUNTING POST BRASS  
PLATED TIN

SOLDER TAIL BRASS WIRE  
PLATED TIN

LOCKWASHER PHOSPHOR BRONZE  
PLATED NICKEL

JAM NUT BRASS  
PLATED NICKEL



RECOMMENDED MOUNTING HOLE  
PANEL THICKNESS: 5.50(.217) MAX  
RECOMMENDED MOUNTING TORQUE: 0.56 N-m(5 INCH-LBS)

RECOMMENDED PCB LAYOUT

|               |                       |
|---------------|-----------------------|
| PS-73598-0051 | PRODUCT SPECIFICATION |
| ES-73599-0000 | INTERFACE             |
| SPECIFICATION | DESCRIPTION           |

|            |                         |
|------------|-------------------------|
| 73171-3000 | 73100-0070, ONE PER BAG |
| 73100-0070 | PLASTIC TRAYS           |
| PART NO.   | PACKAGING               |

|                              |                     |            |
|------------------------------|---------------------|------------|
| CHG: ADD MISSING LENGTH DIMS | EC NO: URF2009-0534 | 2009/03/18 |
|                              | DRW: JWEENER        | 2009/03/18 |
| AZ                           | CHK: SSMAR          | 2009/03/18 |
|                              | APP: JWEENER        | 2009/03/18 |

|  |                                       |   |              |              |                        |
|--|---------------------------------------|---|--------------|--------------|------------------------|
| QUALITY SYMBOLS                                      | GENERAL TOLERANCES (UNLESS SPECIFIED) | DIMENSION STYLE   | SCALE        | DESIGN UNITS | THIRD ANGLE PROJECTION |
| ▽=0  | 4 PLACES ±--- ±---                    | MM/IN   |              | METRIC       |                        |
| ▽=0  | 3 PLACES ±--- ±---                    | DRAWN BY  | DATE         | TITLE        | BNC JACK, R/A PCB      |
|  | 2 PLACES ±--- ±---                    | CHECKED BY  | DATE         |              | RECEPTACLE, 75 OHMS    |
|  | 1 PLACE ±--- ±---                     | APPROVED BY   | DATE         |              | BNC-J/RA/PCB           |
|  | ANGULAR ± 2 °                         | MATERIAL NO.  | DOCUMENT NO. |              | MOLEX INCORPORATED     |
| DRAFT WHERE APPLICABLE MUST REMAIN WITHIN DIMENSIONS | SIZE C                                | SEE TABLE   |              |              | SD-73100-0070          |
|  |                                       | THIS DRAWING CONTAINS INFORMATION THAT IS PROPRIETARY TO MOLEX INCORPORATED AND SHOULD NOT BE USED WITHOUT WRITTEN PERMISSION |              |              | SHEET NO. 1 OF 1       |

12 11 10 9 8 7 6 5 4 3 2 1