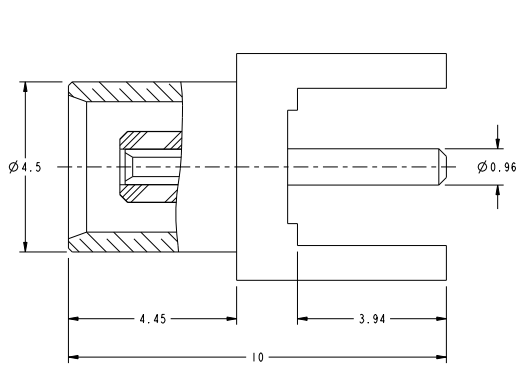
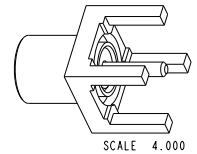


- NOTES:
- MATERIALS AND FINISHES:
 - BODY : BRASS, GOLD PLATING
 - CONTACT : BERYLLIUM COPPER, GOLD PLATING
 - INSULATOR : PTFE, NATURAL
 - ELECTRICAL:
 - A. IMPEDANCE: 50 OHM
 - B. DIELECTRIC WITHSTANDING VOLTAGE: 1000 VRMS, MIN.
 - MECHANICAL:
 - A. DURABILITY: 500 CYCLES MIN.
 - B. TEMPERATURE RANGE: - 65°C to +155°C

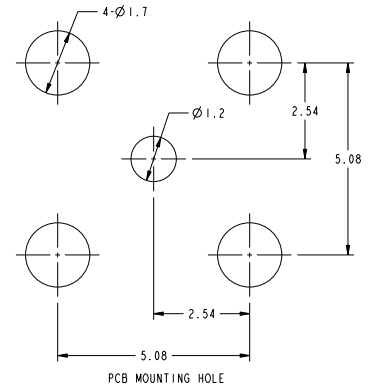
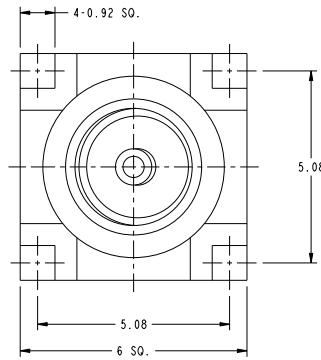
THIRD ANGLE PROJ.

REVISIONS

| REV | DESCRIPTION | DATE | ECO | APPR |
|-----|---------------------------|-----------|-------|---------|
| A | RELEASE TO MFG. | | | |
| B | SEE SHEET I | 09-02-99' | | JOHNSON |
| B1 | SEE SHEET I | 02-14-06' | | SH |
| C | SEE SHEET I | 14-Jul-10 | 48054 | SH |
| D | UPDATED TEMPERATURE RANGE | 10/19/10 | 48282 | MJN |



SECTION A-A



CUSTOMER OUTLINE DRAWING
ALL OTHER SHEETS ARE FOR INTERNAL USE ONLY

| | | | | | | | | | | | | | | | |
|---|-------------------------------------|----------------------|-------------------|--------------------------------|---------------------------------|----------|---------|---------|---------|------|----------|-----------------|-------------------|---|---|
| <p>UNLESS OTHERWISE SPECIFIED, DIMENSIONS ARE IN METRIC AND TOLERANCES ARE:</p> <table border="1"> <tr> <td><0.5mm</td> <td>0.5 - 6mm</td> <td>6 - 30mm</td> <td>30 - 120mm</td> <td>ANGLES</td> </tr> <tr> <td>± 0.05mm</td> <td>± 0.1mm</td> <td>± 0.2mm</td> <td>± 0.3mm</td> <td>± 1°</td> </tr> </table> <p>NOTICE: These drawings, specifications, or other data (1) are, and remain the property of Amphenol Corp., (2) must be returned upon request; and (3) are confidential and not to be disclosed to any person other than those to whom they are given by Amphenol Corp. The furnishing of these drawings, specifications, or other data by Amphenol Corp., or to any other person for any purpose is not to be regarded by implication or otherwise in any manner licensing, granting rights to permitting such holder or any other person to manufacture, use or sell any product, process or design, patented or otherwise, that may in any way be related to or disclosed by said drawings, specifications, or other data.</p> | <0.5mm | 0.5 - 6mm | 6 - 30mm | 30 - 120mm | ANGLES | ± 0.05mm | ± 0.1mm | ± 0.2mm | ± 0.3mm | ± 1° | MATERIAL | DRAWN J. OIN | DATE 14-Feb-06 | TITLE MCX P.C. BOARD RECEPT. JACK | <p>Amphenol RF</p> <p>Danbury CT USA, Tainan, Taiwan, Shenzhen, China</p> <p>www.amphenolrf.com</p> |
| | <0.5mm | 0.5 - 6mm | 6 - 30mm | 30 - 120mm | ANGLES | | | | | | | | | | |
| | ± 0.05mm | ± 0.1mm | ± 0.2mm | ± 0.3mm | ± 1° | | | | | | | | | | |
| | REFERENCE AND CONFIGURATION LEVEL: | ENGINEER S. HSIEH | DATE 14-Feb-06 | SCALE: 10.0:1.0 SHEET 2 OF 2 | DRAWING NO. MCX6251B1-3GT30G-50 | | | | | | | | | | |
| FINISH | APPROVED S. HSIEH | DATE 14-Feb-06 | DWG SIZE B | REV D | ITEM NO. 086251AAB02GE5F | | | | | | | | | | |
| | Root Folder/MCX/MCX6251B1-3GT30G-50 | | | | PART NO. 919-109J-51PX | | | | | | | | | | |