

MATERIALS AND FINISHES

BODY: ZINC ALLOY
PLATED NICKEL

CONTACT: PHOSPHOR BRONZE
PLATED GOLD

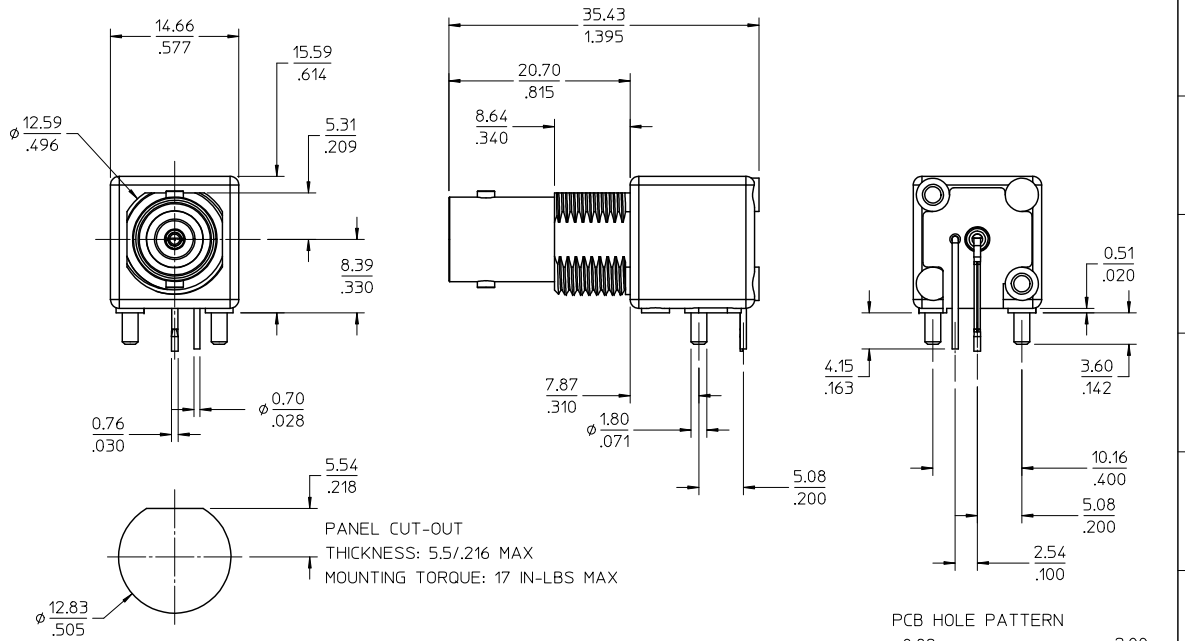
INSULATOR: POLYPROPYLENE (94 V-2)

MOUNTING POST: BRASS
PLATED TIN

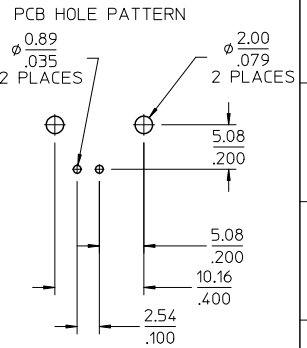
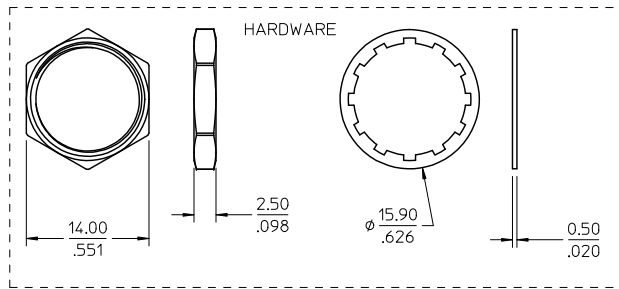
JAM NUT: BRASS
PLATED NICKEL

SOLDER TAIL: COPPER COVERED STEEL
PLATED TIN

PACKAGING: TRAY



PANEL CUT-OUT
THICKNESS: 5.5/.216 MAX
MOUNTING TORQUE: 17 IN-LBS MAX



73171-3720	NOT INCLUDED
73138-5033	INCLUDED
PART NO.	HARDWARE

PS-89675-1030	ELEC/MECH PERFORMANCE
SPECIFICATION	DESCRIPTION

CHG: PS-89675-103
WAS PS-73598-0050
ADDED MISSING PCB
DIMENSIONS
REMOVED REF FROM
DIMENSIONS
EC NO. URF2010-0044
2009/07/22
DRAWN: JMWENER
2009/07/22
CHKD: SSPAH
2009/07/22
APPR: JMWENER

QUALITY SYMBOLS

 DESCRIPTION

GENERAL TOLERANCES (UNLESS SPECIFIED)		
	mm	INCH
4 PLACES	± .15	± .005
3 PLACES	± .10	± .004
2 PLACES	± .07	± .003
1 PLACE	± .05	± .002
ANGULAR ± 2°		

DRAFT WHERE APPLICABLE
MUST REMAIN
WITHIN DIMENSIONS

DIMENSION STYLE	
MM/IN	SCALE
DRAWN BY IRIS WANG	DATE 1991/02/26
CHECKED BY	DATE
IRIS WANG	1991/02/26
APPROVED BY	DATE
R FIELDS	1991/02/26

SCALE	DESIGN UNITS	THIRD ANGLE PROJECTION
	METRIC	
TITLE BNC JACK RA BULKHEAD DIECAST 50 OHM BNC-J/PCB		
MOLEX INCORPORATED		
MATERIAL NO.	DOCUMENT NO.	SHEET NO.
SEE TABLE	SD-73138-5033	1 OF 1
THIS DRAWING CONTAINS INFORMATION THAT IS PROPRIETARY TO MOLEX INCORPORATED AND SHOULD NOT BE USED WITHOUT WRITTEN PERMISSION		