

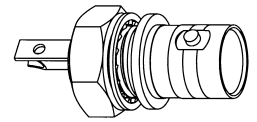
NOTES:

- MATERIALS OF CONSTRUCTION:
 BODY & HEX NUT = BRASS (00-B-626), NICKEL PLATED
 LOCKWASHER & LOCK RING = BRASS (00-B-613), NICKEL PLATED
 BRAID GROUNDING = BRASS (00-B-613), BRIGHT TIN PLATED
 CONTACT PIN = PHOSPHOR BRONZE, SILVER PLATED
 INSULATOR = NYLON, COLOR WHITE
- IMPORTANT: A MAXIMUM TORQUE OF 12 INCH-LBS MAY BE APPLIED ON HEX NUT WHEN MOUNTING CONNECTOR IN PANEL.

31-10

REVISIONS

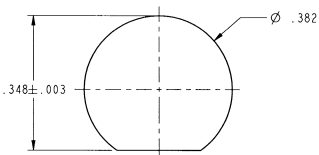
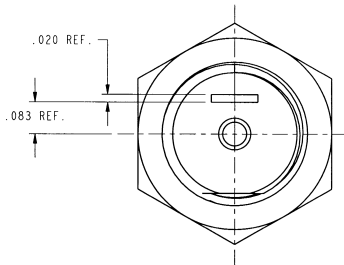
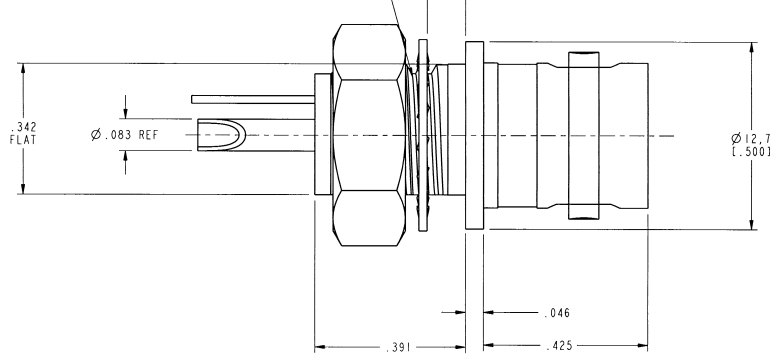
DRAWING NO.	REV	DESCRIPTION	DATE	ECO	APPR
THIRD ANGLE PROJ.	--	RELEASE TO MFG.			
	Y	SEE SHEET 1	1/25/01	43640	CPM
	AA	ADD REF DIM'S .020, .083 & DIA .083	3/8/01	43695	CPM



SCALE 2.000

3/8-24UNF-2A THREAD
 MOLDED IN WHITE NORYL

.187 MAX
 PANEL THICKNESS



RECOMMENDED MOUNTING
 HOLE DIMENSIONS
 SCALE 4.000

CUSTOMER OUTLINE DRAWING
 ALL OTHER SHEETS ARE FOR INTERNAL USE ONLY

THIS CONNECTOR IS COVERED BY U.S. PATENT 3,396,132

UNLESS OTHERWISE SPECIFIED, DIMENSIONS ARE IN INCHES AND TOLERANCES ARE: 0.5 - 6mm ±0.2mm 6 - 30mm ±0.4mm 30 - 120mm ±0.6mm	MATERIAL	DRAWN C. McGRATH	DATE 12/18/00	TITLE BNC RECEPTACLE INSULATED FROM GROUND	Amphenol Amphenol Corporation Communication and Network Products Division Danbury, CT U.S.A. 06810				
	NOTICE - These drawings, specifications, or other data (1) are, and remain the property of Amphenol Corp. (2) must be returned upon request; and (3) are confidential and not to be disclosed to any person other than those to whom they are given by Amphenol Corp. The furnishing of these drawings, specifications, or other data by Amphenol Corp., or to any other person to anyone for any purpose is not to be regarded by implication or otherwise in any manner licensing, granting rights or permitting such holder or any other person to manufacture, use or sell any product, process or design, patented or otherwise, that may in any way be related to or disclosed by said drawings, specifications, or other data.	REFERENCE EAR 967598-0 GEN# ASSYF14.BNC	ENGINEER T. AUBIN	DATE 12/18/00		APPROVED O. BARTHELMES	DATE 1/24/01		
		CAD FILE 1:\BNC\31-10		CODE ID 74868	DWG SIZE B	DRAWING NO. 31-10	SCALE: 4.0:1	SHEET 2 OF 2	REV AA