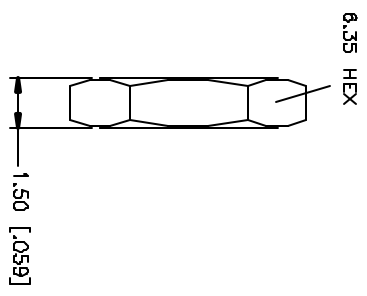
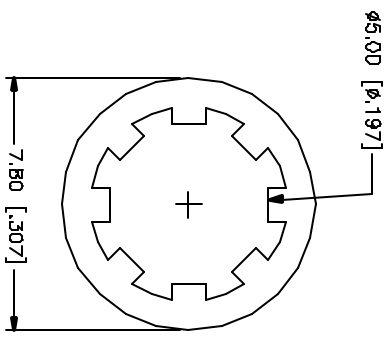
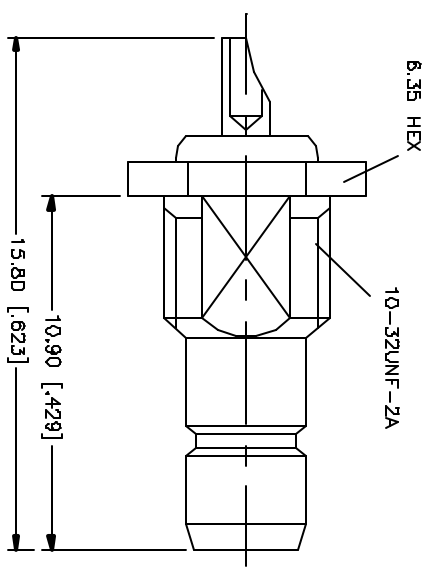
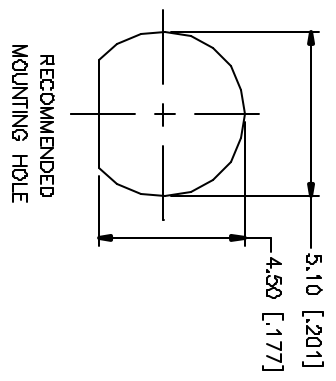


REV.	DATE	DESCRIPTION
NC	05/01/04	INITIAL RELEASE



REV.	DATE	DESCRIPTION
B		
7		
6		
5		
4		
3		
2		
1		

DESCRIPTION	MATERIAL	FINISH	QTY
HEX NUT	BRASS	NICKEL	1
LOCK WASHER	BRASS	NICKEL	1
CONTACT PIN	BRASS	GOLD	1
INSULATOR	TEFLON	NATURAL	1
BODY	BRASS	NICKEL	1

APPROVALS	DATE
DRAWN G.R.S.	05/01/04
CHECKED	
ISSUED	
DRAWN	

APPROVALS	DATE
1 OF 1	

QAD FILE	DWG. NO.	REV.	NC	SIZE	SCALE
C:/142/142152.DWG	142152.DWG			A	NA

Amphenol Connex

SMB BULKHEAD RECEIPT, JACK

PART NO. 142152

UNLESS OTHERWISE SPECIFIED DIMENSIONS ARE IN MILLIMETERS. DIMENSIONS IN INCHES ARE NOTED AND FOR CUSTOMER REFERENCE ONLY. UNLESS OTHERWISE SPECIFIED DIMENSIONS FOR MANUFACTURED ARE: D.5 - 8mm ± 0.20mm B - 7.6mm ± 0.20mm 3D - 12.0mm ± 0.50mm UNLESS OTHERWISE SPECIFIED DIMENSIONS FOR FINISH ARE: .020 - .315 ± 0.007* .315 - 1.180 ± 0.015 1.180 - 4.724 ± 0.020*

UNLESS OTHERWISE SPECIFIED DIMENSIONS ARE IN MILLIMETERS. DIMENSIONS IN INCHES ARE NOTED AND FOR CUSTOMER REFERENCE ONLY. UNLESS OTHERWISE SPECIFIED DIMENSIONS FOR MANUFACTURED ARE: D.5 - 8mm ± 0.20mm B - 7.6mm ± 0.20mm 3D - 12.0mm ± 0.50mm UNLESS OTHERWISE SPECIFIED DIMENSIONS FOR FINISH ARE: .020 - .315 ± 0.007* .315 - 1.180 ± 0.015 1.180 - 4.724 ± 0.020*

UNLESS OTHERWISE SPECIFIED DIMENSIONS ARE IN MILLIMETERS. DIMENSIONS IN INCHES ARE NOTED AND FOR CUSTOMER REFERENCE ONLY. UNLESS OTHERWISE SPECIFIED DIMENSIONS FOR MANUFACTURED ARE: D.5 - 8mm ± 0.20mm B - 7.6mm ± 0.20mm 3D - 12.0mm ± 0.50mm UNLESS OTHERWISE SPECIFIED DIMENSIONS FOR FINISH ARE: .020 - .315 ± 0.007* .315 - 1.180 ± 0.015 1.180 - 4.724 ± 0.020*