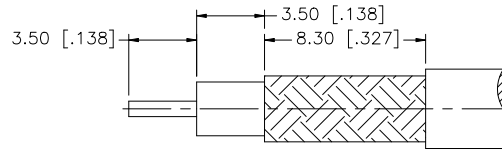
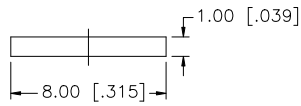
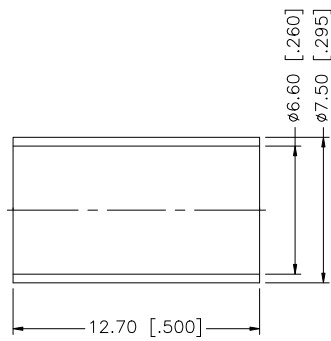
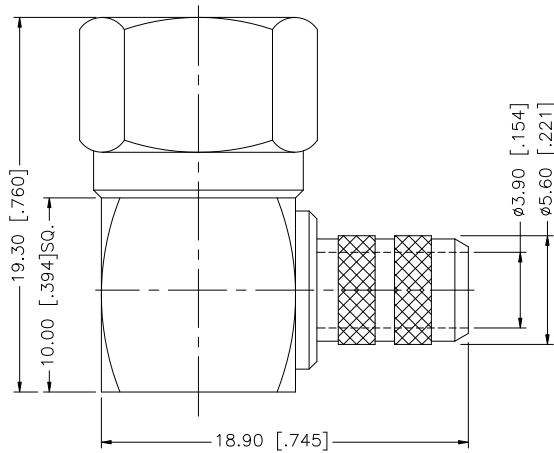


REV.	DATE	DESCRIPTION
NC	11/08/99	INITIAL RELEASE
A	02/21/07	UPDATE DRAWING FORMAT
B	08/19/07	REVISE CAP DIMENSIONS



RECOMMENDED
CABLE STRIPPING DIM'S

Amphenol Connex

PART DESCRIPTION

F R/A CRIMP PLUG
(FOR RG-59/U)

PART NO.

222153

DWG. NO.

222153.DWG

REV. B

SIZE A

SCALE NA

UNLESS OTHERWISE SPECIFIED DIMENSIONS ARE IN MILLIMETERS. DIMENSIONS IN [] ARE IN INCHES AND FOR CUSTOMER REFERENCE ONLY.

UNLESS OTHERWISE SPECIFIED TOLERANCES FOR MILLIMETERS ARE:
0.5 - 8mm ± 0.20mm
9 - 30mm ± 0.40mm
30 - 120mm ± 0.50mm

UNLESS OTHERWISE SPECIFIED TOLERANCES FOR INCHES ARE:
.020 - .315 = ± 0.007"
.315 - 1.180 = ± 0.015"
1.180 - 4.724 = ± 0.020"

DO NOT SCALE DRAWING

APPROVALS

DATE

DRAWN G.R.S. 08/19/07

CHECKED

ISSUED

SHEET 1 OF 1

CAD FILE

C:/222/222153.DWG

DESCRIPTION	MATERIAL	FINISH	QTY
8			
7			
6			
5			
4	FERRULE	COPPER NICKEL	1
3	CONTACT PIN	BRASS GOLD	1
2	INSULATOR	TEFLON NATURAL	1
1	BODY	BRASS NICKEL	1