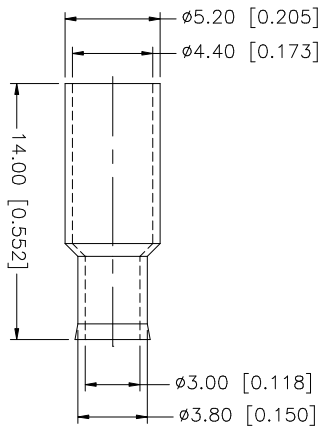
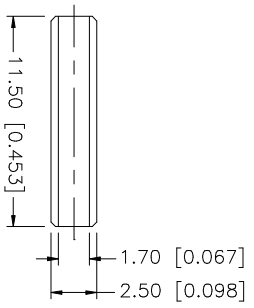
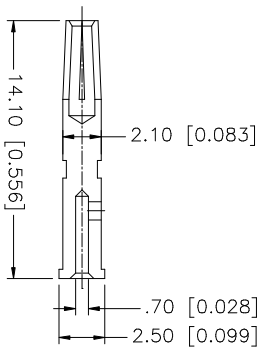
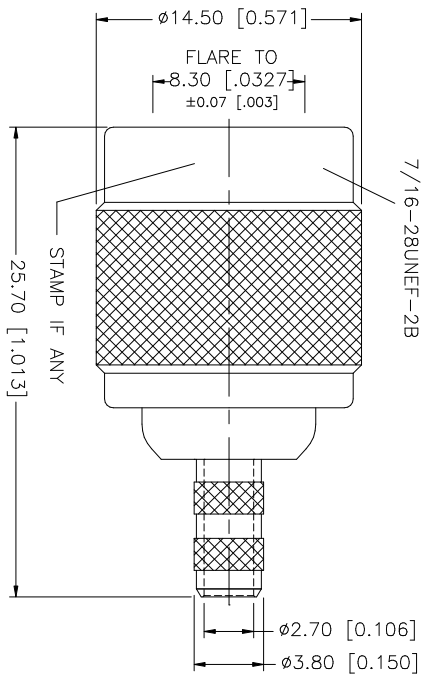
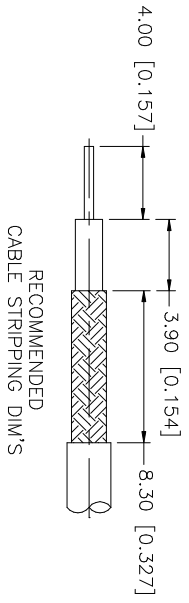


| REV. | DATE     | DESCRIPTION           |
|------|----------|-----------------------|
| A    | 02/24/03 | UPDATE DRAWING FORMAT |



CRIMP NOTES:  
1. CRIMPED FERRULE  
HEX SIZE .178"  
2. CRIMPED CONTACT PIN  
HEX CRIMP SIZE .068"

| UNLESS OTHERWISE SPECIFIED, DIMENSIONS ARE IN INCHES AND FOR CUSTOMER REFERENCE ONLY. |             |               |
|---|-------------|---------------|
| 8   |             |               |
| 7   |             |               |
| 6   |             |               |
| 5   | FERRULE     | COPPER        |
| 4   | SLEEVE      | DELRIIN       |
| 3   | INSULATOR   | TEFLON        |
| 2   | CONTACT PIN | PHOS. BRONZE  |
| 1   | SHELL/BODY  | BRASS         |
| FINISH  |             | NICKEL        |
| QTY   |             | 1             |
| DO NOT SCALE DRAWING  |             |               |
| UNLESS OTHERWISE SPECIFIED, DIMENSIONS ARE IN INCHES AND FOR CUSTOMER REFERENCE ONLY. |             |               |
| UNLESS OTHERWISE SPECIFIED, TOLERANCES FOR MILLING ARE:                               |             |               |
| 0.5 - .8mm ± 0.20mm   |             |               |
| .8 - 30mm ± 0.40mm  |             |               |
| 30 - 120mm ± 0.50mm   |             |               |
| UNLESS OTHERWISE SPECIFIED, TOLERANCES FOR FINISH ARE:                                |             |               |
| .020 - .315 ± 0.007"  |             |               |
| .315 - 1.180 ± 0.015"   |             |               |
| 1.180 - 4.724 ± 0.020"  |             |               |
| APPROVALS   |             | DATE          |
| DRAWN G.R.S.  |             | 02/24/03      |
| CHECKED   |             |               |
| ISSUED  |             |               |
| SHEET 1 OF 1  |             |               |
| PART DESCRIPTION  |             |               |
| TNC REVERSE POLARITY CRIMP PLUG<br>(FOR RG-174/U, 188/U, 316/U CABLE)                 |             |               |
| PART NO.  |             | 1222116RP     |
| DWG. NO.  |             | 1222116RP.DWG |
| REV.  |             | A             |
| SIZE  |             | A             |
| SCALE   |             | NA            |

**Amphenol Connex**