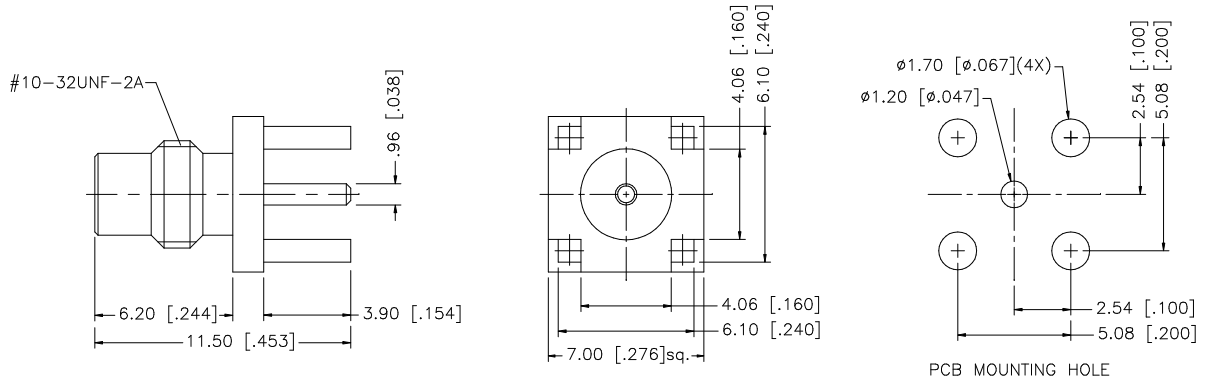


REV.	DATE	DESCRIPTION
NC	07/15/03	INITIAL RELEASE



				UNLESS OTHERWISE SPECIFIED DIMENSIONS ARE IN MILLIMETERS; DIMENSIONS IN [ ] ARE IN INCHES AND FOR CUSTOMER REFERENCE ONLY.	APPROVALS	DATE	<b>Amphenol Connex</b>	
8				UNLESS OTHERWISE SPECIFIED TOLERANCES FOR MILLIMETERS ARE: 0.5 - 8mm ± 0.20mm 8 - 30mm ± 0.40mm 30 - 120mm ± 0.50mm  UNLESS OTHERWISE SPECIFIED TOLERANCES FOR INCHES ARE: .020 - .315 ± 0.007" .315 - 1.180 ± 0.015" 1.180 - 4.724 ± 0.020"	DRAWN	G.R.S.		07/15/03
7			CHECKED				PART DESCRIPTION	
6					ISSUED			
5					SHEET	1 OF 1		
4					CAD FILE	C:/152/152119.DWG	DWG. NO.	
3	CONTACT PIN	BRASS	GOLD	1		152119.DWG	REV. NC	
2	INSULATOR	TEFLON	NATURAL	1			SIZE A	
1	BODY	BRASS	NICKEL	1			SCALE NA	
	DESCRIPTION	MATERIAL	FINISH	QTY	DO NOT SCALE DRAWING			
							PART NO.	152119