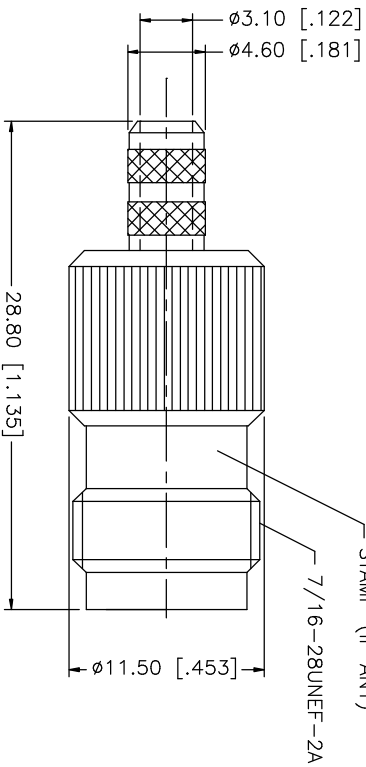
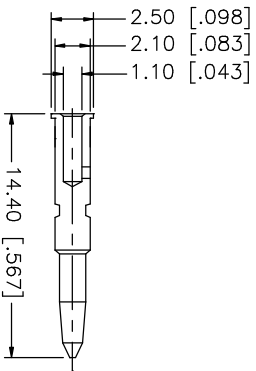
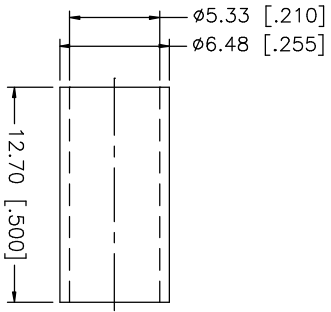
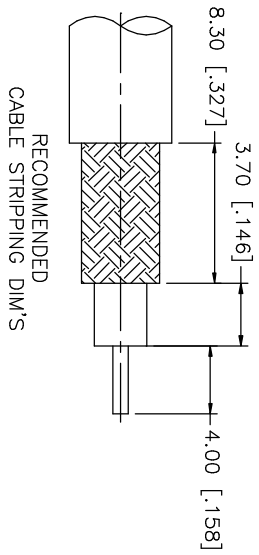


| REV. | DATE | DESCRIPTION |
|------|----------|-----------------------|
| A | 09/01/98 | MODIFY CONTACT I.D. |
| B | 06/05/03 | UPDATE DRAWING FORMAT |



- NOTE:
1. CRIMPED FERRULE
HEX CRIMP SIZE .213"
 2. CRIMPED CONTACT PIN
HEX CRIMP SIZE .068"

| 8 | UNLESS OTHERWISE SPECIFIED DIMENSIONS ARE IN MILLIMETERS. DIMENSIONS IN [] ARE IN INCHES AND FOR CUSTOMER REFERENCE ONLY. | UNLESS OTHERWISE SPECIFIED DIMENSIONS ARE IN MILLIMETERS. DIMENSIONS IN [] ARE IN INCHES AND FOR CUSTOMER REFERENCE ONLY. | UNLESS OTHERWISE SPECIFIED DIMENSIONS ARE IN MILLIMETERS. DIMENSIONS IN [] ARE IN INCHES AND FOR CUSTOMER REFERENCE ONLY. | UNLESS OTHERWISE SPECIFIED DIMENSIONS ARE IN MILLIMETERS. DIMENSIONS IN [] ARE IN INCHES AND FOR CUSTOMER REFERENCE ONLY. | UNLESS OTHERWISE SPECIFIED DIMENSIONS ARE IN MILLIMETERS. DIMENSIONS IN [] ARE IN INCHES AND FOR CUSTOMER REFERENCE ONLY. | UNLESS OTHERWISE SPECIFIED DIMENSIONS ARE IN MILLIMETERS. DIMENSIONS IN [] ARE IN INCHES AND FOR CUSTOMER REFERENCE ONLY. | UNLESS OTHERWISE SPECIFIED DIMENSIONS ARE IN MILLIMETERS. DIMENSIONS IN [] ARE IN INCHES AND FOR CUSTOMER REFERENCE ONLY. | UNLESS OTHERWISE SPECIFIED DIMENSIONS ARE IN MILLIMETERS. DIMENSIONS IN [] ARE IN INCHES AND FOR CUSTOMER REFERENCE ONLY. | UNLESS OTHERWISE SPECIFIED DIMENSIONS ARE IN MILLIMETERS. DIMENSIONS IN [] ARE IN INCHES AND FOR CUSTOMER REFERENCE ONLY. | UNLESS OTHERWISE SPECIFIED DIMENSIONS ARE IN MILLIMETERS. DIMENSIONS IN [] ARE IN INCHES AND FOR CUSTOMER REFERENCE ONLY. |
|---|--|--|--|--|--|--|--|--|--|--|
| 7 | | | | | | | | | | |
| 6 | | | | | | | | | | |
| 5 | | | | | | | | | | |
| 4 | FERRULE | COPPER | NICKEL | 1 | 0.5 - 8mm ± 0.20mm | 0.020 - .315 = ± 0.007" | | | | |
| 3 | INSULATOR | TEFLON | NATURAL | 1 | 8 - 30mm ± 0.40mm | .315 - 1.180 = ± 0.015" | | | | |
| 2 | CONTACT PIN | BRASS | GOLD | 1 | 30 - 120mm ± 0.50mm | 1.180 - 4.724 = ± 0.020" | | | | |
| 1 | BODY | BRASS | NICKEL | 1 | | | | | | |
| | DESCRIPTION | MATERIAL | FINISH | QTY | DO NOT SCALE DRAWING | | | | | |
| | | APPROVALS | | DATE | DRAWN | | G.R.S. | 06/05/03 | CAD FILE | |
| | | CHECKED | | | ISSUED | | | | C:/122/122122RP.DWG | |
| | | SHEET | | 1 OF 1 | PART NO. | | 122122RP | DWG. NO. | | 122122RP.DWG |
| | | SCALE | | NA | REV. | | NC | SIZE | | A |
| | | DESCRIPTION | | TNC CRIMP JACK - REVERSE POLARIZED | | RG58/U CABLE | | REV. | | NC |
| | | PART NO. | | 122122RP | | DWG. NO. | | 122122RP.DWG | | SCALE |
| | | DATE | | 06/05/03 | | REV. | | NC | | SIZE |
| | | DRAWN | | G.R.S. | | DATE | | 06/05/03 | | SCALE |
| | | CHECKED | | | | PART NO. | | 122122RP | | SCALE |
| | | ISSUED | | | | DWG. NO. | | 122122RP.DWG | | SCALE |
| | | SHEET | | 1 OF 1 | | REV. | | NC | | SCALE |
| | | DESCRIPTION | | TNC CRIMP JACK - REVERSE POLARIZED | | REV. | | NC | | SCALE |
| | | PART NO. | | 122122RP | | DWG. NO. | | 122122RP.DWG | | SCALE |
| | | DATE | | 06/05/03 | | REV. | | NC | | SCALE |
| | | DRAWN | | G.R.S. | | DATE | | 06/05/03 | | SCALE |
| | | CHECKED | | | | PART NO. | | 122122RP | | SCALE |
| | | ISSUED | | | | DWG. NO. | | 122122RP.DWG | | SCALE |
| | | SHEET | | 1 OF 1 | | REV. | | NC | | SCALE |
| | | DESCRIPTION | | TNC CRIMP JACK - REVERSE POLARIZED | | REV. | | NC | | SCALE |
| | | PART NO. | | 122122RP | | DWG. NO. | | 122122RP.DWG | | SCALE |

Amphenol Connex

TNC CRIMP JACK - REVERSE POLARIZED

RG58/U CABLE

122122RP

122122RP.DWG