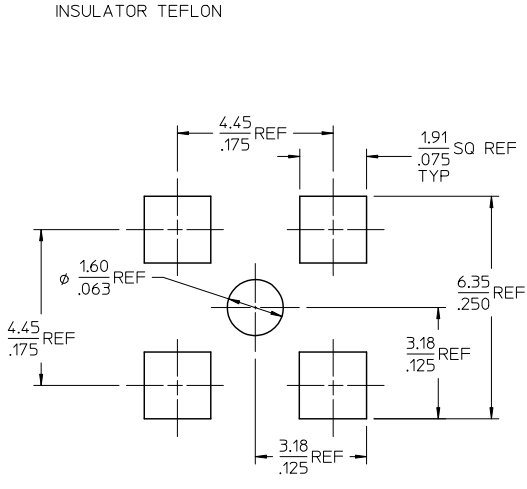
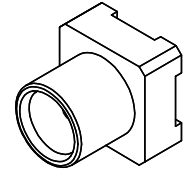


MATERIALS AND FINISHES

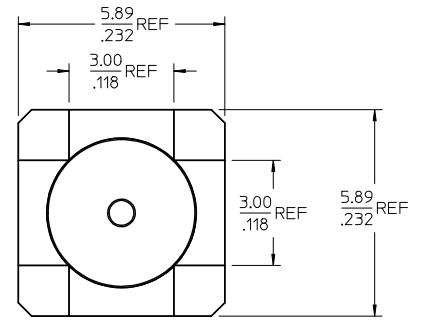
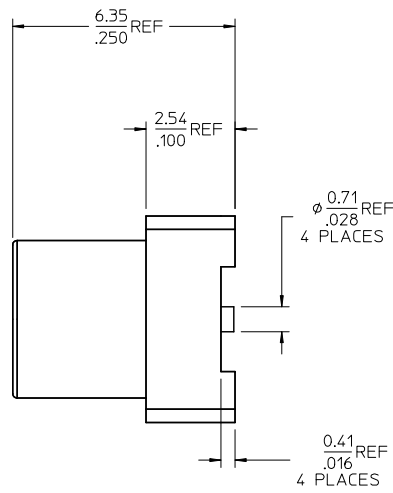
BODY BRASS
PLATED SEE TABLE

CENTER CONTACT BERYLLIUM COPPER
PLATED GOLD

INSULATOR TEFLON



RECOMMENDED MOUNTING PATTERN



CHG: ADDED P/NO. 73415-1636 AND 73415-1635 REF NO. 2009-0117 REF NO. 2009-0117 DRWNS: CHENG 2009/03/10 CHKD: 2009/03/11 APPR: HUANG 2009/03/11 A3	QUALITY SYMBOLS ▽=0 ▽=0	GENERAL TOLERANCES (UNLESS SPECIFIED)		DIMENSION STYLE MM/IN		SCALE	DESIGN UNITS	THIRD ANGLE PROJECTION	
		4 PLACES ±	mm	INCH	DRAWN BY	DATE	TITLE		
		3 PLACES ±			TEF	2000/01/05	MCX JACK PCB, SMT, 75 OHMS		
		2 PLACES ±			CHEKED BY	DATE	MCX-J/PCB		
1 PLACE ±			TEF	2000/01/05					
ANGULAR ± 2°				APPROVED BY	DATE	MOLEX INCORPORATED			
DRAFT WHERE APPLICABLE MUST REMAIN WITHIN DIMENSIONS				GMH	2000/01/05	MATERIAL NO.	DOCUMENT NO.	SHEET NO.	
				SEE TABLE		SD-73415-163		1 OF 2	
THIS DRAWING CONTAINS INFORMATION THAT IS PROPRIETARY TO MOLEX INCORPORATED AND SHOULD NOT BE USED WITHOUT WRITTEN PERMISSION									

13 12 11 10 9 8 7 6 5 4 3 2 1

73415-1637	TRI ALLOY	TAPE ANS REEL (SPQ 800 PCS) WITHOUT KAPTON TAPE OF 73415-1630
73415-1636	TRI ALLOY	TAPE ANS REEL (SPQ 800 PCS) WITH KAPTON TAPE OF 73415-1630
73415-1635	GOLD	P/N 73415-1631, ONE PIECE PER BAG
73415-1634	TRI ALLOY	P/N 73415-1630, ONE PIECE PER BAG
73415-1633	GOLD	TAPE ANS REEL (SPQ 800 PCS) WITHOUT KAPTON TAPE
73415-1632	GOLD	TAPE ANS REEL (SPQ 800 PCS) WITH KAPTON TAPE
73415-1631	GOLD	INDIVIDUAL, 100 PIECES PER BAG
73415-1630	TRI ALLOY	INDIVIDUAL, 100 PIECES PER BAG
PART NO.	PLATING.	PACKAGING

J
I
H
G
F
E
D
C
B
A

J
I
H
G
F
E
D
C
B
A

CHG:SEE SHEET1 EC NO. URF2009-0512 DRAWN: CHENG CHKD: JIAN APPR: HUANG A3	2009/03/10 2009/03/11 2009/03/11	QUALITY SYMBOLS ▽=0 ▽=0	GENERAL TOLERANCES (UNLESS SPECIFIED)		DIMENSION STYLE		SCALE	DESIGN UNITS	THIRD ANGLE PROJECTION		
				mm	INCH	MM/IN					
			4 PLACES	±----	±----	TEF	DATE	TITLE			
			3 PLACES	±----	±----	CHECKED BY	DATE	MCX JACK,PCB,SMT,75 OHMS			
2 PLACES	±----	±----	TEF	DATE	MCX-J/PCB						
1 PLACE	±----	±----	APPROVED BY	DATE							
ANGULAR ± 2 °			GMH	2000/01/05	MOLEX INCORPORATED						
DRAFT WHERE APPLICABLE MUST REMAIN WITHIN DIMENSIONS			MATERIAL NO.	SEE SHEET1	DOCUMENT NO.	SD-73415-163	SHEET NO.	2 OF 2			
			SIZE	THIS DRAWING CONTAINS INFORMATION THAT IS PROPRIETARY TO MOLEX INCORPORATED AND SHOULD NOT BE USED WITHOUT WRITTEN PERMISSION							

12 11 10 9 8 7 6 5 4 3 2 1