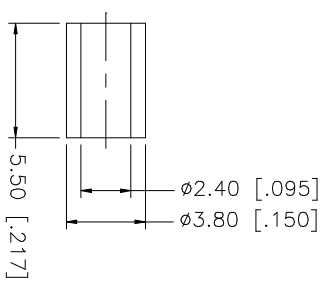
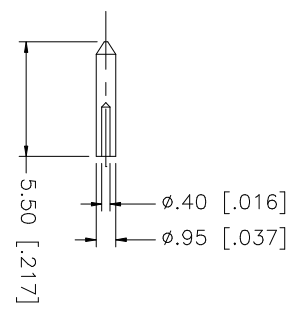
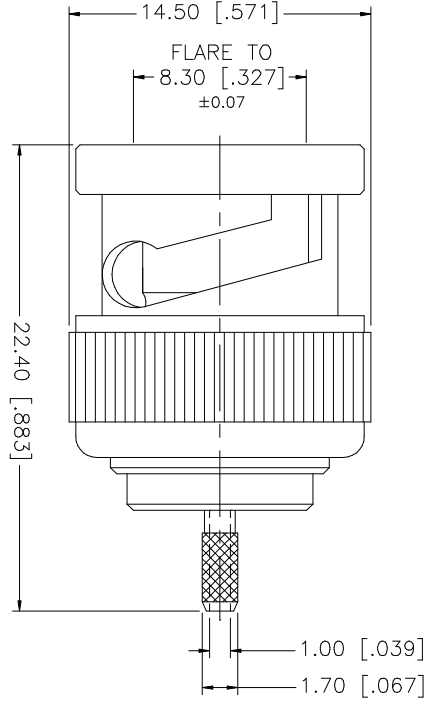
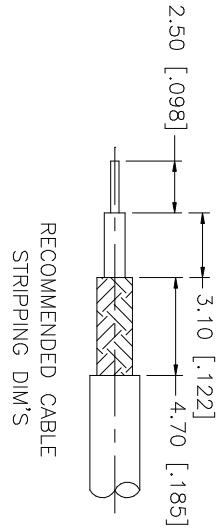


REV.	DATE	DESCRIPTION
NC	12/01/95	INITIAL RELEASE
A	01/31/06	UPDATE DRAWING FORMAT



CRIMP NOTES:

1. CRIMPED FERRULE HEX CRIMP SIZE .128"
2. CONTACT PIN TO SOLDER OR 4-WAY INDENT CRIMP TOOL P/N 47001.

UNLESS OTHERWISE SPECIFIED DIMENSIONS ARE IN MILLIMETERS DIMENSIONS IN [ ] ARE IN INCHES AND FOR CUSTOMER REFERENCE ONLY.	UNLESS OTHERWISE SPECIFIED TOLERANCES FOR MILLIMETERS ARE:	UNLESS OTHERWISE SPECIFIED TOLERANCES FOR INCHES ARE:	APPROVALS	DATE	PART DESCRIPTION
8			DRAWN	01/31/06	<b>Amphenol Connex</b> BNC CRIMP PLUG (FOR RG-178/U, 196/U CABLE)
7			CHECKED		
6			ISSUED		
5	FERRULE	BRASS			PART NO.
4	INSULATOR	DELRIN			112516
3	CONTACT PIN	PHOS. BRONZE			
2	BODY	BRASS			
1	SHELL	DIECAST			
DESCRIPTION			PART NO.		
MATERIAL			FINISH		
QTY			DO NOT SCALE DRAWING		
CAD FILE			C:/112/112516.DWG		
DWG. NO.			112516.DWG		
REV.			A		
SIZE			A		
SCALE			NA		