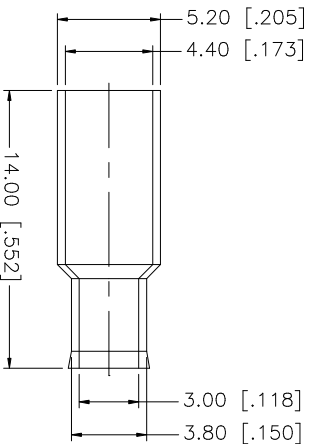
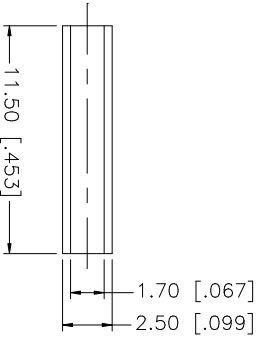
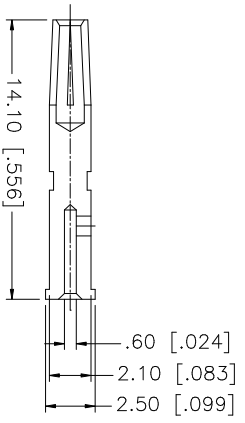
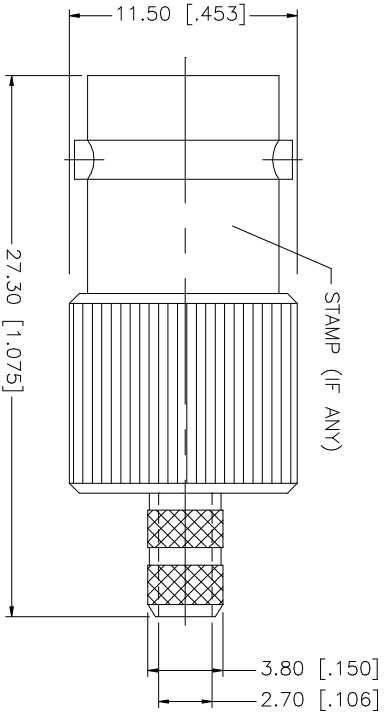
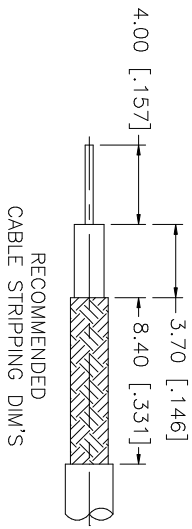


REV.	DATE	DESCRIPTION
B	04/04/03	UPDATE DRAWING FORMAT



- CRIMP NOTES:
1. CRIMPED FERRULE
HEX CRIMP SIZE .178"
 2. CRIMPED CONTACT PIN
HEX CRIMP SIZE .068"

Amphenol **Comnex**

PART DESCRIPTION
BNC CRIMP JACK
(FOR RG-174/U, 188A/U, 316/U CABLE)

PART NO. 112160

DESCRIPTION	MATERIAL	FINISH	QTY
1 HOUSING/BODY	BRASS	NICKEL	1
2 INSULATOR	DELRIN	NATURAL	1
3 CONTACT PIN	PHOS. BRONZE	GOLD	1
4 SLEEVE	DELRIN	NATURAL	1
5 FERRULE	BRASS	NICKEL	1
6			
7			
8			

APPROVALS	DATE	DWG. NO.	REV.	SIZE	SCALE
DRAWN G.R.S.	04/04/03	112160.DWG	B	A	NA
CHECKED					
ISSUED					
SHEET 1 OF 1					

UNLESS OTHERWISE SPECIFIED DIMENSIONS ARE IN MILLIMETERS. DIMENSIONS IN [] ARE IN INCHES AND FOR CUSTOMER REFERENCE ONLY.
UNLESS OTHERWISE SPECIFIED TOLERANCES FOR MILLIMETERS ARE:
0.5 - 8mm ± 0.20mm
8 - 30mm ± 0.40mm
30 - 120mm ± 0.50mm
UNLESS OTHERWISE SPECIFIED TOLERANCES FOR INCHES ARE:
.020 - .315 = ± 0.002"
.315 - 1.180 = ± 0.015"
1.180 - 4.724 = ± 0.020"
DO NOT SCALE DRAWING

CAD FILE C:/112/112160.DWG