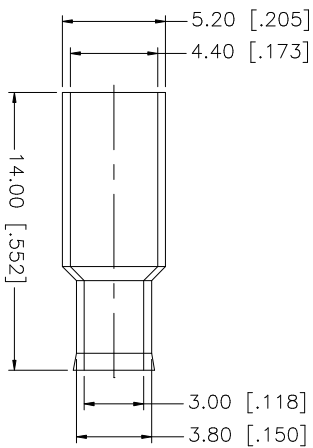
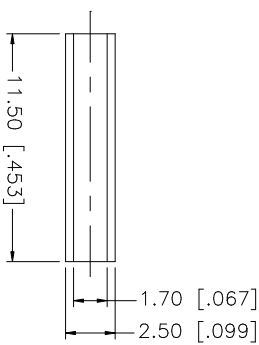
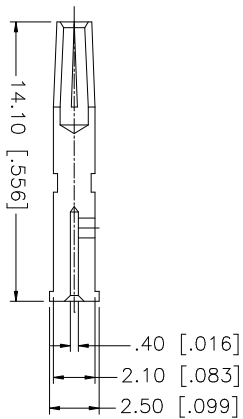
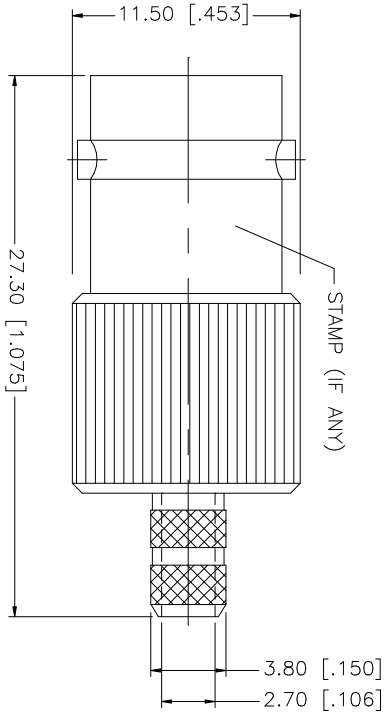
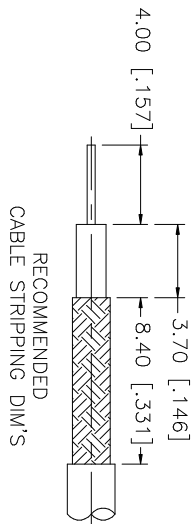


REV.	DATE	DESCRIPTION
B	04/04/03	UPDATE DRAWING FORMAT



- CRIMP NOTES:
1. CRIMPED FERRULE
HEX CRIMP SIZE .178"
 2. CRIMPED CONTACT PIN
HEX CRIMP SIZE .068"

DESCRIPTION	MATERIAL	FINISH	QTY	DO NOT SCALE DRAWING	APPROVALS	DATE	PART DESCRIPTION			
8				UNLESS OTHERWISE SPECIFIED DIMENSIONS ARE IN MILLIMETERS. DIMENSIONS IN [] ARE IN INCHES AND FOR CUSTOMER REFERENCE ONLY.			Amphenol Comnex BNC CRIMP JACK (FOR RG-179/U CABLE) 75ohm 112161			
7				UNLESS OTHERWISE SPECIFIED TOLERANCES FOR MILLIMETERS ARE:						
6				0.5 - 8mm ± 0.20mm						
5	FERRULE	COPPER	1	B - 30mm ± 0.40mm	DRAWN	G.R.S.		04/04/03		
4	SLEEVE	DELRIIN	1	30 - 120mm ± 0.30mm	CHECKED					
3	CONTACT PIN	PHOS. BRONZE	1	UNLESS OTHERWISE SPECIFIED TOLERANCES FOR INCHES ARE:	ISSUED					
2	INSULATOR	DELRIIN	1	.020 - .315 = ± 0.002"	SHEET	1 OF 1				
1	HOUSING/BODY	BRASS	1	.315 - 1.180 = ± 0.015" 1.180 - 4.724 = ± 0.020"	CAD FILE					
DESCRIPTION					C:\112\112161.DWG	DWG. NO.	112161.DWG	REV. B	SIZE A	SCALE NA