

MATERIALS AND FINISHES

BODY ZINC ALLOY
PLATED NICKEL

CENTER CONTACT PHOSPHOR BRONZE
PLATED GOLD

INSULATOR POLYPROPYLENE

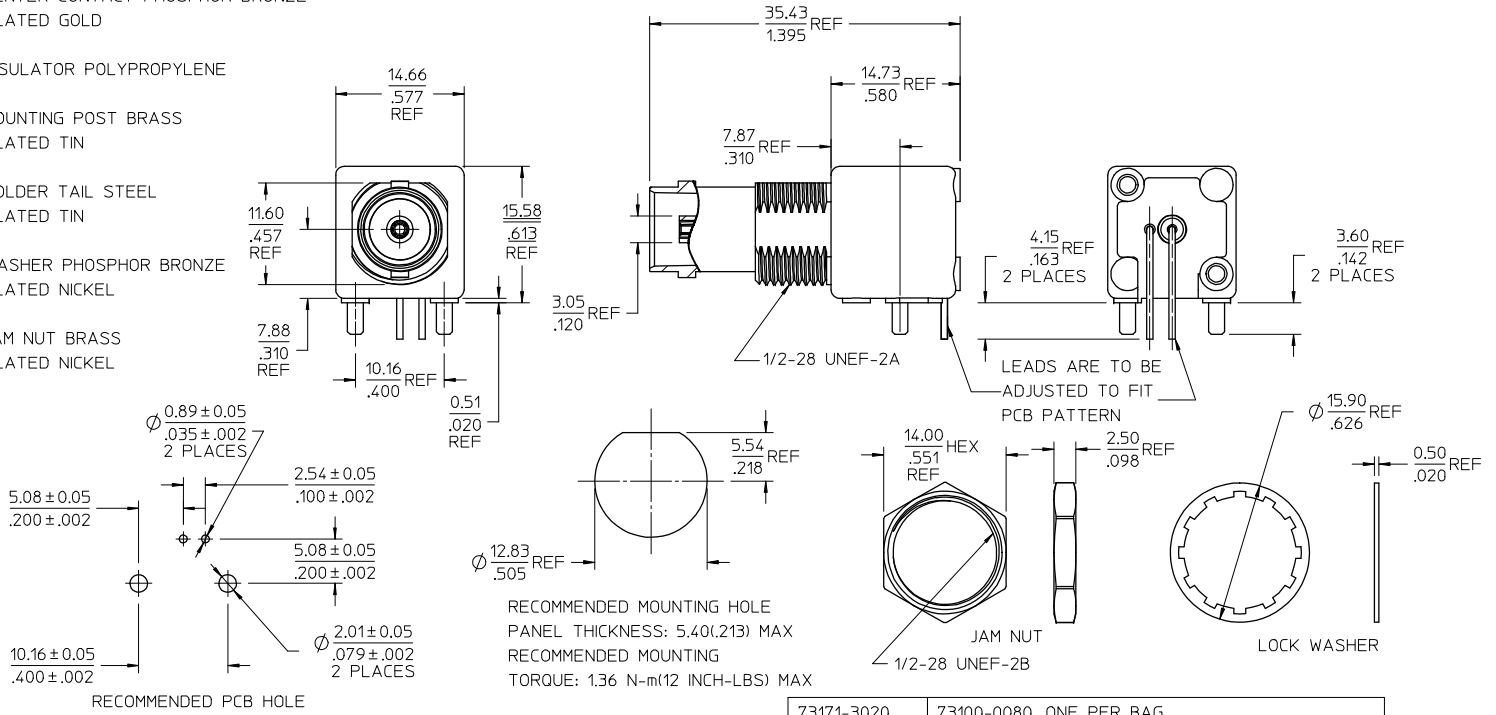
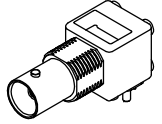
MOUNTING POST BRASS
PLATED TIN

SOLDER TAIL STEEL
PLATED TIN

WASHER PHOSPHOR BRONZE
PLATED NICKEL

JAM NUT BRASS
PLATED NICKEL

BNC JACK
75 OHM
INTERFACE



PS-73598-0051	PRODUCT SPECIFICATION
SPECIFICATION	DESCRIPTION

73171-3020	73100-0080, ONE PER BAG
73100-0080	TRAY PACK
PART NO.	PACKAGING

CHG: ADD 14.73 REF AND 7.87 REF	QUALITY SYMBOLS	GENERAL TOLERANCES (UNLESS SPECIFIED)	DIMENSION STYLE	SCALE	DESIGN UNITS	THIRD ANGLE PROJECTION
EC NO. UPE2008-0413	▽=0	4 PLACES ± .005	MM/IN	DRAWN BY	METRIC	☉
DRWN: JWEINER	▽=0	3 PLACES ± .005		DATE		
CHKD: SSPAH		2 PLACES ± .005		1993/02/04		
APPR: JWEINER		1 PLACE ± .005		CHECKED BY		
		ANGULAR ± 2°		DATE		
				1993/02/11		
				APPROVED BY		
				KHW		
				MATERIAL NO.	DOCUMENT NO.	SHEET NO.
				SEE TABLE	SD-73100-0080	1 OF 1
				SIZE		
				C		

BNC JACK, R/A RECEPTACLE, 75 OHMS BNC-J/RA/PCB	
MOLEX INCORPORATED	
THIS DRAWING CONTAINS INFORMATION THAT IS PROPRIETARY TO MOLEX INCORPORATED AND SHOULD NOT BE USED WITHOUT WRITTEN PERMISSION	