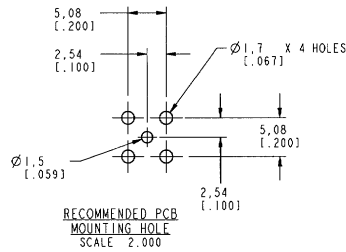
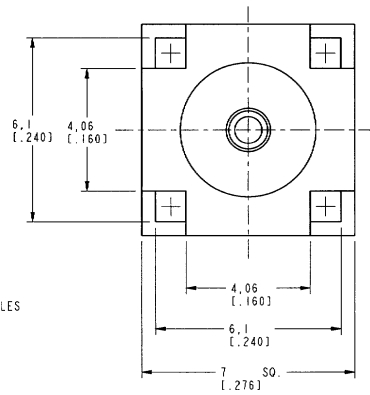
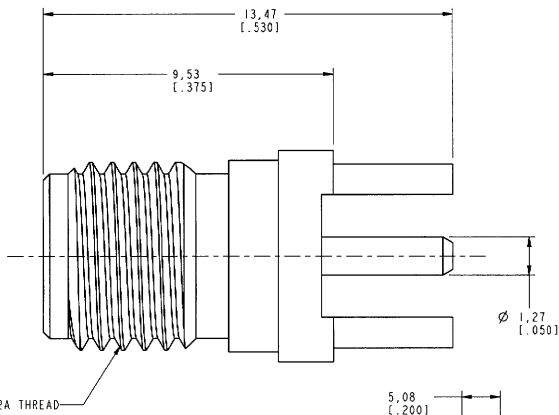
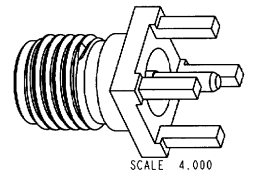


NOTES:

- 1. MATERIALS OF CONSTRUCTION:
- BODY RING = BRASS, GOLD PLATED
- CONTACT PIN = BeCu, GOLD PLATED
- INSULATORS (2) = TEFLON, PER MIL-P-19468

901-144-8RFX		REVISIONS			
DRAWING NO.	REV	DESCRIPTION	DATE	ECO	APPR
THIRD ANGLE PROJ.	A	RELEASE TO MFG.	1-25-01	43650	CPM



CUSTOMER OUTLINE DRAWING
FOR REFERENCE ONLY

<p>UNLESS OTHERWISE SPECIFIED, DIMENSIONS ARE IN INCHES AND TOLERANCES ARE:</p> <p>0.5 - 6mm ±0.2mm 6 - 30mm ±0.4mm 30 - 120mm ±0.6mm</p> <p>NOTICE - These drawings, specifications, or other data (1) are, and remain the property of Amphenol Corp. (2) must be returned upon request; and (3) are confidential and not to be disclosed to any person other than those to whom they are given by Amphenol Corp. The furnishing of these drawings, specifications, or other data by Amphenol Corp., or to any other person for any purpose is not to be regarded by implication or otherwise in any manner licensing, granting rights or permitting such holder or any other person to manufacture, use or sell any product, process or design, patented or otherwise, that may in any way be related to or disclosed by said drawings, specifications, or other data.</p>	<p>MATERIAL</p> <p>REFERENCE GEN# 901-144-8RFX.ASSY EAR 967698-0</p>	<p>DRAWN C. McGRATH</p>	<p>DATE 1/10/01</p>	<p>TITLE</p> <p>SMA PCB MOUNT JACK</p>	<p>Amphenol Amphenol Corporation Communication and Network Products Division Danbury, CT U.S.A. 06810</p>	
		<p>ENGINEER O. BARTHELMES</p>	<p>DATE 1/10/01</p>			<p>APPROVED <i>[Signature]</i></p>
		<p>CAD FILE 1:\SMA\901-144-8RFX</p>	<p>CODE ID 74868</p>	<p>DWG SIZE B</p>	<p>DRAWING NO. 901-144-8RFX</p>	<p>SCALE: 8.0:1 SHEET 2 OF 2</p>