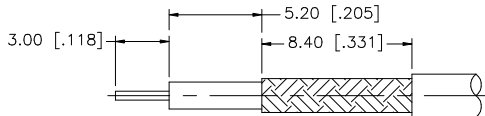
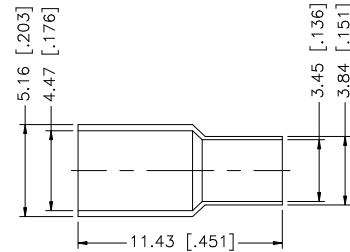
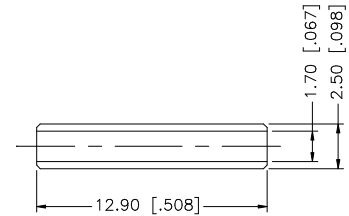
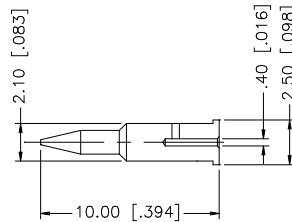
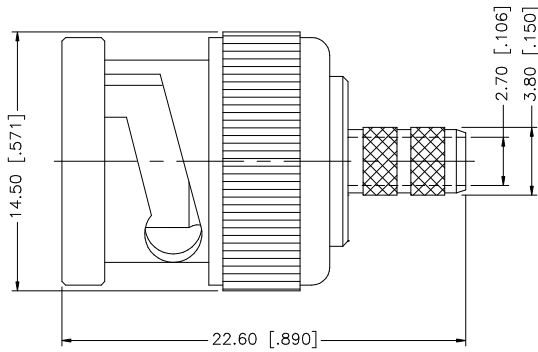


REV.	DATE	DESCRIPTION
NC	11/08/99	INITIAL RELEASE
A	10/01/06	UPDATE DRAWING FORMAT



RECOMMENDED
CABLE STRIPPING DIM'S



8					UNLESS OTHERWISE SPECIFIED DIMENSIONS ARE IN MILLIMETERS. DIMENSIONS IN [] ARE IN INCHES AND FOR CUSTOMER REFERENCE ONLY.	APPROVALS	DATE	Amphenol Connex
7						DRAWN G.R.S.	10/01/06	
6					UNLESS OTHERWISE SPECIFIED TOLERANCES FOR MILLIMETERS ARE: 0.5 - 8mm ± 0.20mm 8 - 30mm ± 0.40mm 30 - 120mm ± 0.50mm	CHECKED		PART DESCRIPTION
5					UNLESS OTHERWISE SPECIFIED TOLERANCES FOR INCHES ARE: .020 - .315 = ± 0.007" .315 - 1.180 = ± 0.015" 1.180 - 4.724 = ± 0.020"	ISSUED		BNC CRIMP PLUG (FOR RG-179/U DOUBLE BRAID CABLE)
4	FERRULE	COPPER	NICKEL	1		SHEET	1 OF 1	PART NO.
3	CONTACT PIN	BER. COPPER	GOLD	1				112644
2	INSULATOR	DELTRIN	NATURAL	1				DWG. NO. 112644.DWG
1	BODY	BRASS	NICKEL	1				REV. A SIZE A SCALE NA
	DESCRIPTION	MATERIAL	FINISH	QTY	DO NOT SCALE DRAWING	CAD FILE	C:/112/112644.DWG	