

MATERIALS AND FINISHES

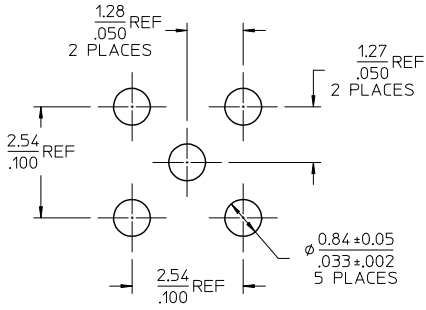
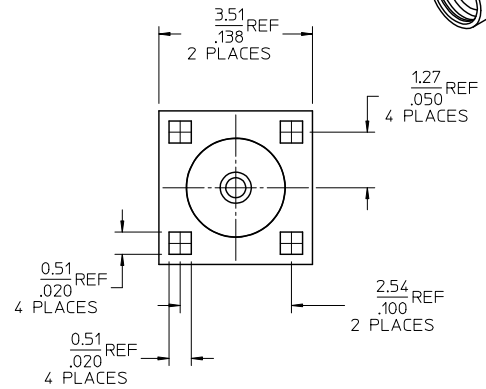
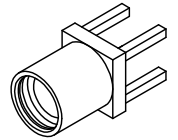
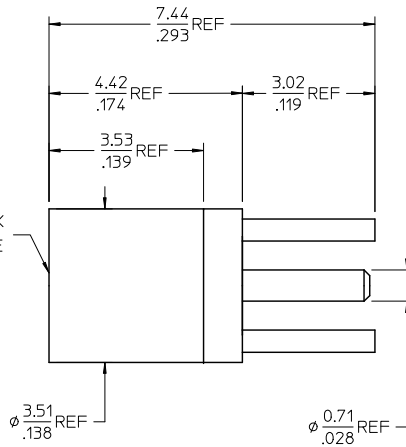
BODY SEE TABLE
PLATED SEE TABLE

CENTER CONTACT BERYLLIUM COPPER
PLATED GOLD

INSULATOR TEFLON / WHITE

NOTE
PART # 73415-1473 IS
(NON-MAGNETIC)

MMCX JACK
INTERFACE



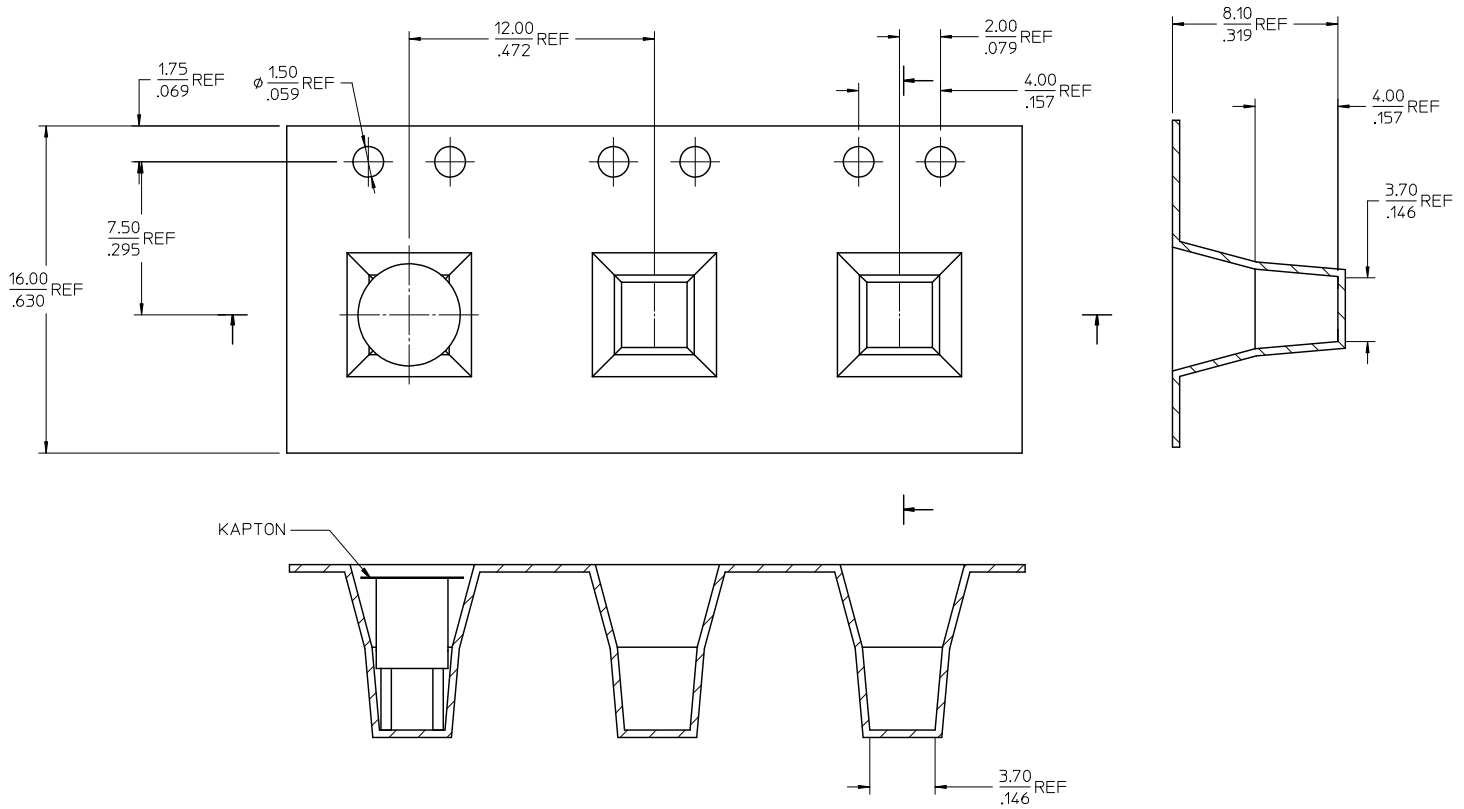
RECOMMENDED PCB LAYOUT

73415-1475	P/N 73415-1471 WITH TAPE AND REEL	BRASS/GOLD(PER COMMERCIAL REQUIREMENT)
73415-1474	TRAY	BRASS/GOLD(PER COMMERCIAL REQUIREMENT)
73415-1473	BULK	BeCu/GOLD (NON MAGNETIC)
73415-1472	P/N 73415-1471, ONE PER BAG	BRASS/GOLD(PER COMMERCIAL REQUIREMENT)
73415-1471	BULK	BRASS/GOLD(PER COMMERCIAL REQUIREMENT)
73415-1470	BULK	BRASS/GOLD(PER MILITARY REQUIREMENT)
ES-73599-0000-016	INTERFACE	
PS-89675-1910	ELECTRO/MECH PER.	
SPECIFICATION	DESCRIPTION	
	PART NO.	PACKAGING
		MATERIAL/PLATING

CHG: ADDED PTFEFLON COLOR WHITE EC NO. UPE2010-0165 2009/09/29 DRWNS:CHENG 2009/10/01 CHKD: 2009/10/01 APPR:PHUANG 2009/10/01 REV:	QUALITY SYMBOLS ▽=0 ▽=0	GENERAL TOLERANCES (UNLESS SPECIFIED)		DIMENSION STYLE MM/IN	SCALE METRIC	DESIGN UNITS METRIC	THIRD ANGLE PROJECTION
		4 PLACES ± --- ± --- 3 PLACES ± --- ± --- 2 PLACES ± --- ± --- 1 PLACE ± --- ± --- ANGULAR ± 2 °	mm INCH TEF 2000/01/14 CHECKED BY DATE TEF 2000/01/14 APPROVED BY DATE GMH 2000/01/14	DRAWN BY DATE TEF 2000/01/14 CHECKED BY DATE TEF 2000/01/14 APPROVED BY DATE GMH 2000/01/14	TITLE MMCX JACK, PCB MOUNT 50 OHMS MMCX-J/PCB	MOLEX INCORPORATED	MATERIAL NO. SD-73415-147
DRAFT WHERE APPLICABLE MUST REMAIN WITHIN DIMENSIONS		SEE TABLE		THIS DRAWING CONTAINS INFORMATION THAT IS PROPRIETARY TO MOLEX INCORPORATED AND SHOULD NOT BE USED WITHOUT WRITTEN PERMISSION			

13 12 11 10 9 8 7 6 5 4 3 2 1

NOTE
DIMENSIONS ARE PROVIDED FOR REFERENCE ONLY



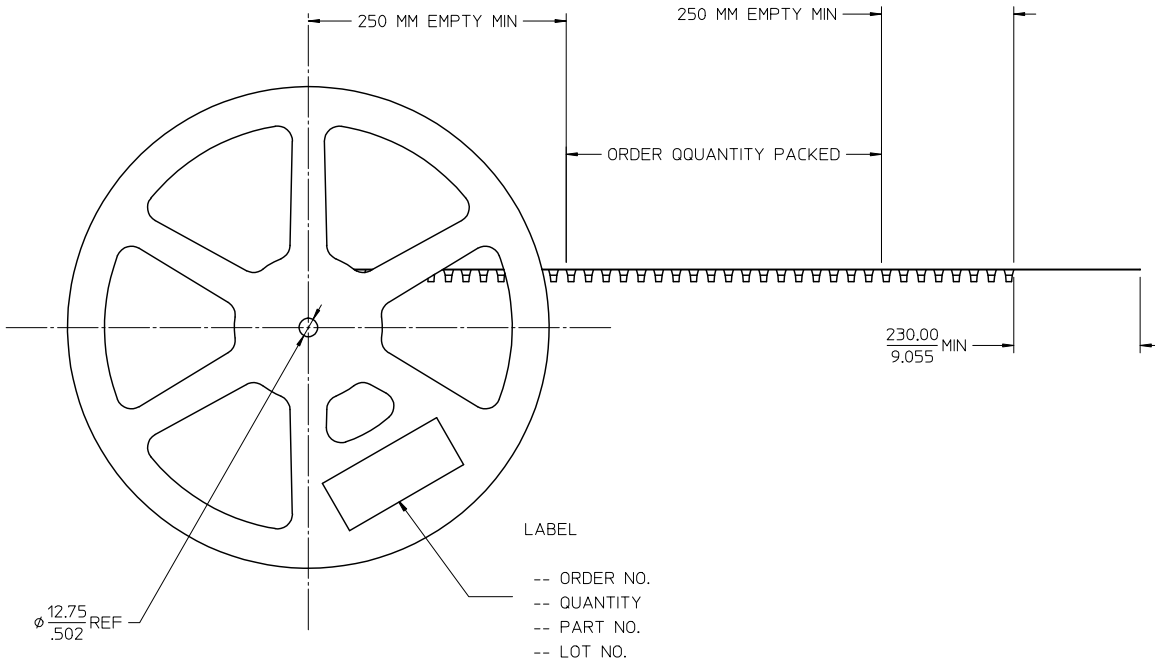
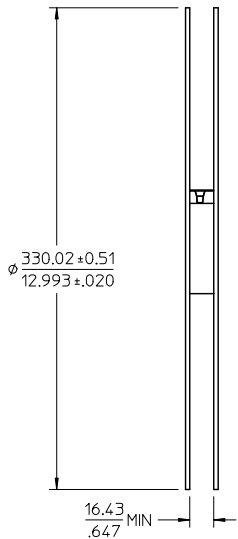
CHG: SEE SHEET 1 EC NO.: UPE2010-0165 DRWNS: CHENG CHKD: 2009/10/01 APPR: HUANG 2009/10/01	QUALITY SYMBOLS ▽=0 ▽=0	GENERAL TOLERANCES (UNLESS SPECIFIED)		DIMENSION STYLE MM/IN	SCALE METRIC	DESIGN UNITS METRIC	THIRD ANGLE PROJECTION		
		4 PLACES ±--- ±--- 3 PLACES ±--- ±--- 2 PLACES ±--- ±--- 1 PLACE ±--- ±---	mm INCH	DRAWN BY TEF DATE 2000/01/14	CHECKED BY TEF DATE 2000/01/14	TITLE MMCX JACK, PCB MOUNT 50 OHMS MMCX-J/PCB			
		ANGULAR ± 2 °	MATERIAL NO. GMH	APPROVED BY GMH DATE 2000/01/14	MOLEX INCORPORATED				
		DRAFT WHERE APPLICABLE MUST REMAIN WITHIN DIMENSIONS	SIZE C	SEE TABLE	DOCUMENT NO. SD-73415-147	SHEET NO. 2 OF 3			

hd_frame_C.P. AM.T
Rev. D 2004/06/28

12 11 10 9 8 7 6 5 4 3 2 1

13 12 11 10 9 8 7 6 5 4 3 2 1

13" REEL SIZE



LABEL
 -- ORDER NO.
 -- QUANTITY
 -- PART NO.
 -- LOT NO.

CHG: SEE SHEET 1 EC NO.: UPE2010-0165 DRWNS: CHENG CHKD: 2009/10/01 APPR: HUANG 2009/10/01	QUALITY SYMBOLS ▽=0 ▽=0	GENERAL TOLERANCES (UNLESS SPECIFIED)		DIMENSION STYLE	SCALE	DESIGN UNITS	THIRD ANGLE PROJECTION
		mm	INCH	MM/IN	METRIC	☉	
		4 PLACES ±----	±----	DATE	TITLE		
		3 PLACES ±----	±----	2000/01/14	MMCX JACK, PCB MOUNT		
2 PLACES ±----	±----	DATE	50 OHMS				
1 PLACE ±----	±----	2000/01/14	MMCX-J/PCB				
ANGULAR ± 2 °		APPROVED BY	DATE	MOLEX INCORPORATED			
DRAFT WHERE APPLICABLE MUST REMAIN WITHIN DIMENSIONS		GMH	2000/01/14	MATERIAL NO.	DOCUMENT NO.	SHEET NO.	
				SEE TABLE	SD-73415-147	3 OF 3	
THIS DRAWING CONTAINS INFORMATION THAT IS PROPRIETARY TO MOLEX INCORPORATED AND SHOULD NOT BE USED WITHOUT WRITTEN PERMISSION							

12 11 10 9 8 7 6 5 4 3 2 1