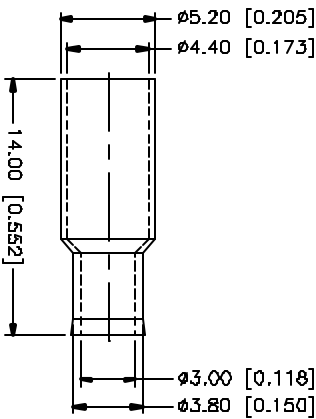
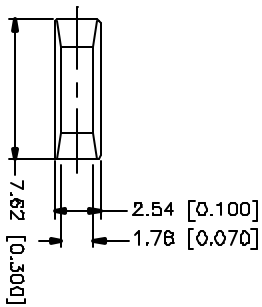
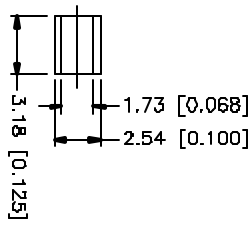
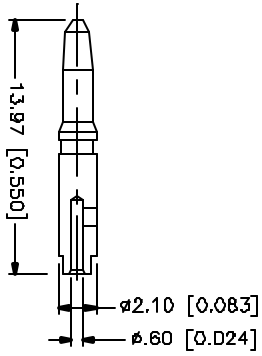
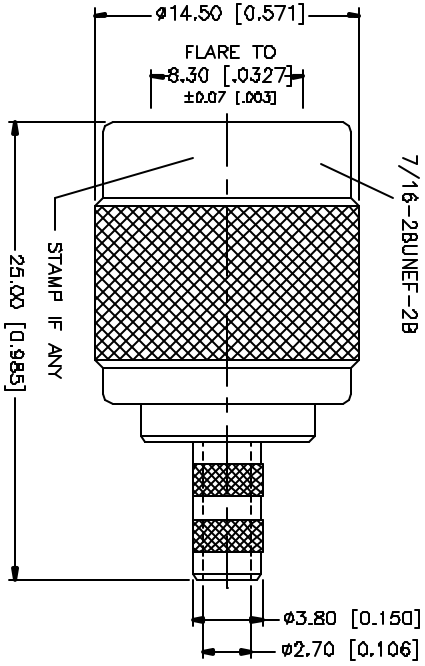
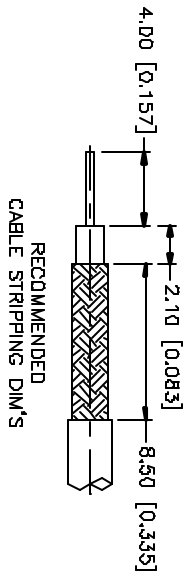


REV.	DATE	DESCRIPTION
A	02/06/00	UPDATE DIMENSIONS - ADD SLEEVE
B	11/25/03	UPDATE DIMENSIONS



- CRIMP NOTES:
1. CRIMPED FERRULE  
HEX SIZE .178"
  2. CRIMPED CONTACT PIN  
HEX CRIMP SIZE .068"
  3. VSWR 1.6 MAX. UP TO 3 GHz

QTY	FINISH	MATERIAL	DESCRIPTION
1	NICKEL	BRASS	SHIELD/BODY
1	GOLD	BRASS	CONTACT PIN
1	NATURAL	TEFLON	INSULATOR
1	NICKEL	BRASS	RETAINER RING
1	NATURAL	TEFLON	SLEEVE
1	NICKEL	BRASS	SPACER
1	NICKEL	BRASS	FERRULE

APPROVALS	DATE
DRAWN G.R.S.	11/25/03
CHECKED	
1994DB	

DO NOT SCALE DRAWINGS	DO NOT SCALE DRAWINGS	DWG. NO.	REV.	SIZE	SCALE
UNLESS OTHERWISE SPECIFIED, DIMENSIONS ARE IN INCHES AND FRACTIONS THEREOF ARE IN DECIMALS THEREOF. DIMENSIONS FOR MILLIMETERS AND TOLERANCES FOR MILLIMETERS ARE: Ø15 - BIRTH ± 0.20mm Ø - 30mm ± 0.40mm 30 - 120mm ± 0.50mm TOLERANCES FOR INCHES ARE: .020 - .315 ± 0.007" .315 - 1.180 ± 0.015" 1.180 - 4.724 ± 0.020"	C:\122\122116.DWG	122116.DWG	B	A	NA

APPROVALS	DATE	PART DESCRIPTION
DRAWN G.R.S.	11/25/03	TNC CRIMP PLUG (FOR RG-174/U, 188A/U, 316/U CABLE)
CHECKED		
1994DB		

APPROVALS	DATE	PART NO.
DRAWN G.R.S.	11/25/03	122116
CHECKED		
1994DB		

**Amphenol Connex**

TNC CRIMP PLUG  
(FOR RG-174/U, 188A/U, 316/U CABLE)

122116