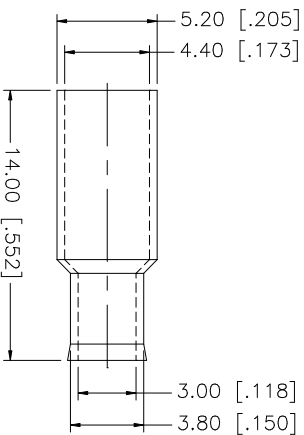
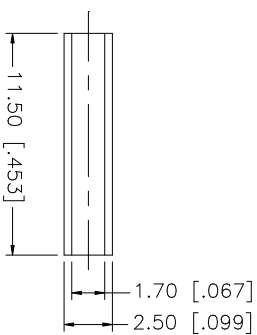
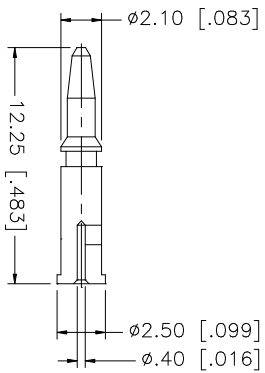
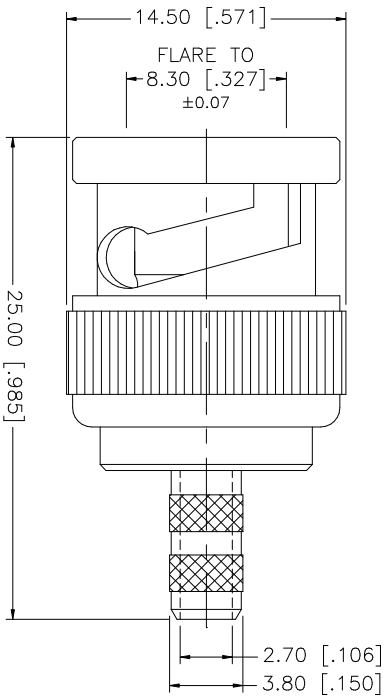
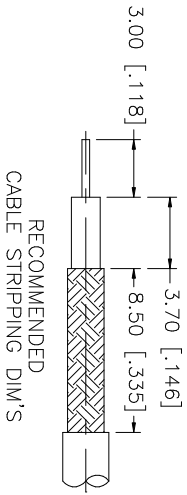


REV.	DATE	DESCRIPTION
A	02/28/02	MODIFY CONTACT PIN AND BODY LENGTH
B	04/04/03	UPDATE DRAWING FORMAT



- CRIMP NOTES:
1. CRIMPED FERRULE  
HEX CRIMP SIZE .178"
  2. CRIMPED CONTACT PIN  
HEX CRIMP SIZE .068"

DESCRIPTION	MATERIAL	FINISH	QTY	UNLESS OTHERWISE SPECIFIED DIMENSIONS ARE IN MILLIMETERS. DIMENSIONS IN [ ] ARE IN INCHES AND FOR CUSTOMER REFERENCE ONLY.	UNLESS OTHERWISE SPECIFIED TOLERANCES FOR MILLIMETERS ARE:	UNLESS OTHERWISE SPECIFIED TOLERANCES FOR INCHES ARE:	DO NOT SCALE DRAWING	CAD FILE	DWG. NO.	REV.	SIZE	SCALE
8												
7												
6	FERRULE	COPPER	1		0.5 - 8mm ± 0.20mm							
4	SLEEVE	DELIRIN	1		8 - 30mm ± 0.40mm							
3	CONTACT PIN	BRASS	1		30 - 120mm ± 0.50mm							
2	INSULATOR	DELIRIN	1			UNLESS OTHERWISE SPECIFIED TOLERANCES FOR INCHES ARE:						
1	SHELL/BODY	BRASS	1			.020 - .315 = ± 0.007"						
						.315 - 1.180 = ± 0.015"						
						1.180 - 4.724 = ± 0.020"						
				<p><b>Amphenol Connex</b></p> <p>PART DESCRIPTION BNC CRIMP PLUG - 75 ohms (RG 179/U, 187/U CABLE)</p> <p>PART NO. 112133</p>								
APPROVALS		DATE										
DRAWN G.R.S.		04/04/03										
CHECKED												
ISSUED												
SHEET 1 OF 1												
DWG. NO. 112133.DWG		REV. B		SIZE A		SCALE NA						