

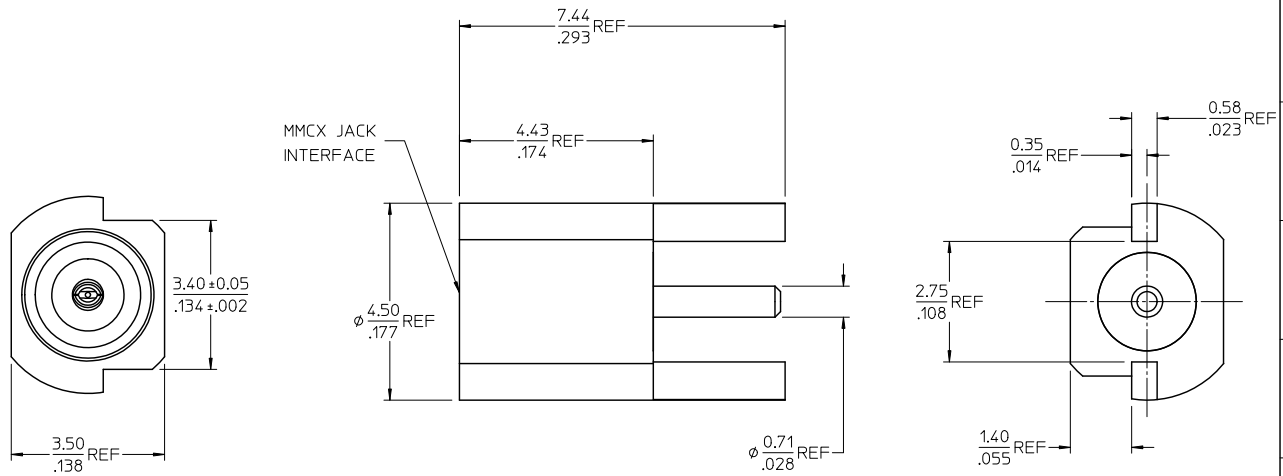
13 12 11 10 9 8 7 6 5 4 3 2 1

MATERIALS AND FINISHES:

BODY BRASS
PLATED GOLD

CONTACT BERYLLIUM COPPER
PLATED GOLD

INSULATOR TEFLON



FOR PCB LAYOUT SEE SHEET 4

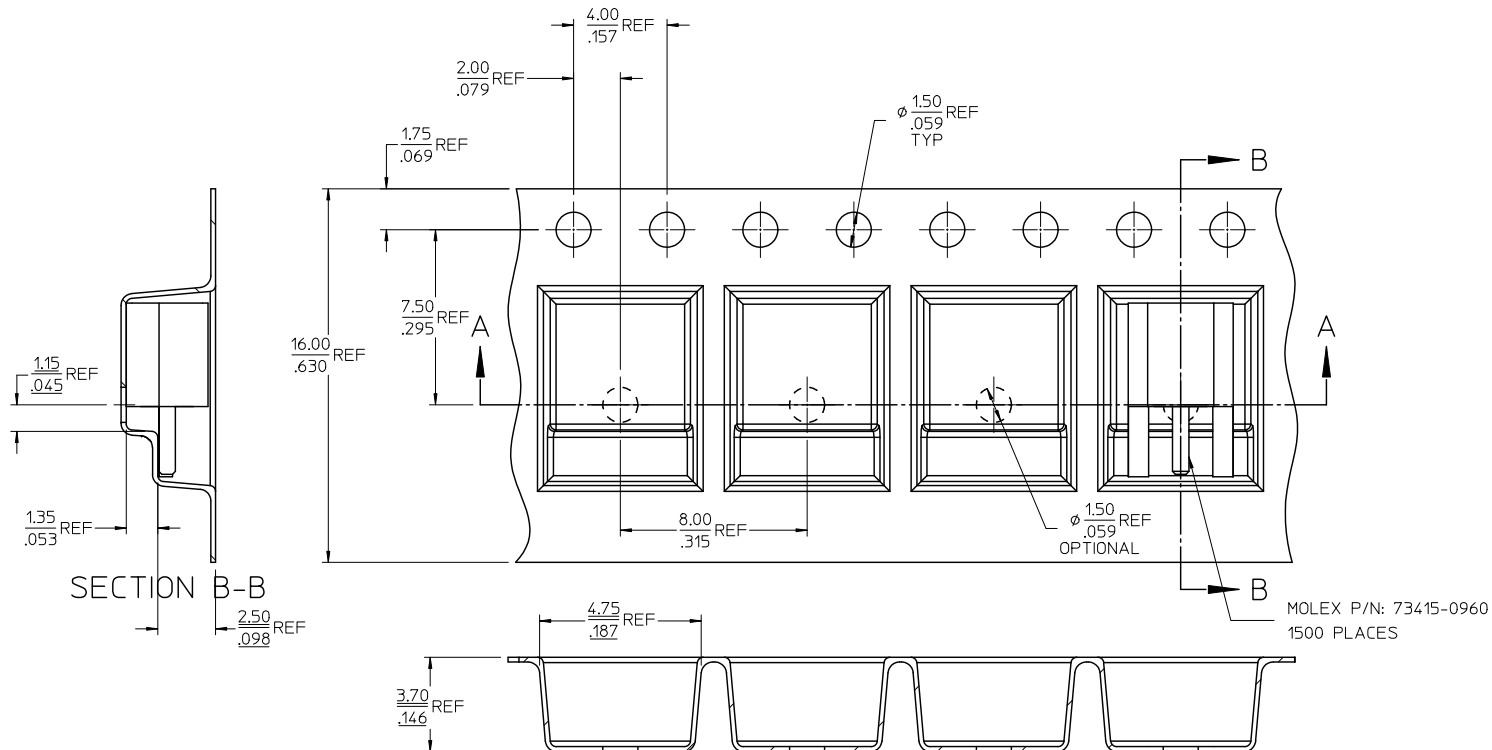
REEL SIZE FOR TAPE AND REEL: 1500 PIECES

		73415-0968	PER COMMERCIAL REQUIREMENTS	INDIVIDUAL BAGS -- SEE SHEET 2
		73415-0967	PER MILITARY REQUIREMENTS	LEADS ORIENTED OPPOSITE FEED HOLES WITHOUT LABEL
		73415-0966	PER COMMERCIAL REQUIREMENTS	LEADS ORIENTED TOWARDS FEED HOLES WITHOUT LABEL
		73415-0965	PER COMMERCIAL REQUIREMENTS	LEADS ORIENTED OPPOSITE FEED HOLES
		73415-0964	PER MILITARY REQUIREMENTS	LEADS ORIENTED TOWARDS FEED HOLES
		73415-0963	PER COMMERCIAL REQUIREMENTS	LEADS ORIENTED TOWARDS FEED HOLES
		73415-0962	PER MILITARY REQUIREMENTS	LEADS ORIENTED OPPOSITE FEED HOLES
CECC-22-340	INTERFACE	73415-0961	PER COMMERCIAL REQUIREMENTS	INDIVIDUAL BAGS
PS-89675-1920	ELECTRO/MECH PERFORMANCE	73415-0960	PER MILITARY REQUIREMENTS	INDIVIDUAL BAGS
SPECIFICATION	DESCRIPTION	PART NUMBER	GOLD PLATING	PACKAGING

CHG: PS-89675-1920 WAS PS-89675-1910 INTERFACE SPECIFICATION WAS ES-73599-0000-0160 -0966 WAS MILITARY -0967 WAS COMM DELETE SHEET 4 DEC NO. URF2011-0222 T4 DRWN: JWIENER 2010/10/08 CHKD: SSS 2010/10/08 APPR: JWIENER 2010/10/11	QUALITY SYMBOLS ▽=0 ▽=0	GENERAL TOLERANCES (UNLESS SPECIFIED)	DIMENSION STYLE	SCALE	DESIGN UNITS	THIRD ANGLE PROJECTION																	
		<table border="1"> <tr> <th></th> <th>mm</th> <th>INCH</th> </tr> <tr> <td>4 PLACES</td> <td>+----</td> <td>+----</td> </tr> <tr> <td>3 PLACES</td> <td>+----</td> <td>+----</td> </tr> <tr> <td>2 PLACES</td> <td>+----</td> <td>+----</td> </tr> <tr> <td>1 PLACE</td> <td>+----</td> <td>+----</td> </tr> <tr> <td colspan="3">ANGULAR ± 2 °</td> </tr> </table>		mm	INCH	4 PLACES	+----	+----	3 PLACES	+----	+----	2 PLACES	+----	+----	1 PLACE	+----	+----	ANGULAR ± 2 °			MM/IN	METRIC	☐
			mm	INCH																			
		4 PLACES	+----	+----																			
3 PLACES	+----	+----																					
2 PLACES	+----	+----																					
1 PLACE	+----	+----																					
ANGULAR ± 2 °																							
DRAFT WHERE APPLICABLE MUST REMAIN WITHIN DIMENSIONS	SEE TABLE	DRAWN BY DATE EDC 1999/02/15 CHECKED BY DATE DHG 1999/02/15 APPROVED BY DATE JWIENER 2010/02/24 MATERIAL NO. SD-73415-096 DOCUMENT NO. MOLEX INCORPORATED SHEET NO. 1 OF 4																					
THIS DRAWING CONTAINS INFORMATION THAT IS PROPRIETARY TO MOLEX INCORPORATED AND SHOULD NOT BE USED WITHOUT WRITTEN PERMISSION																							

12 11 10 9 8 7 6 5 4 3 2 1

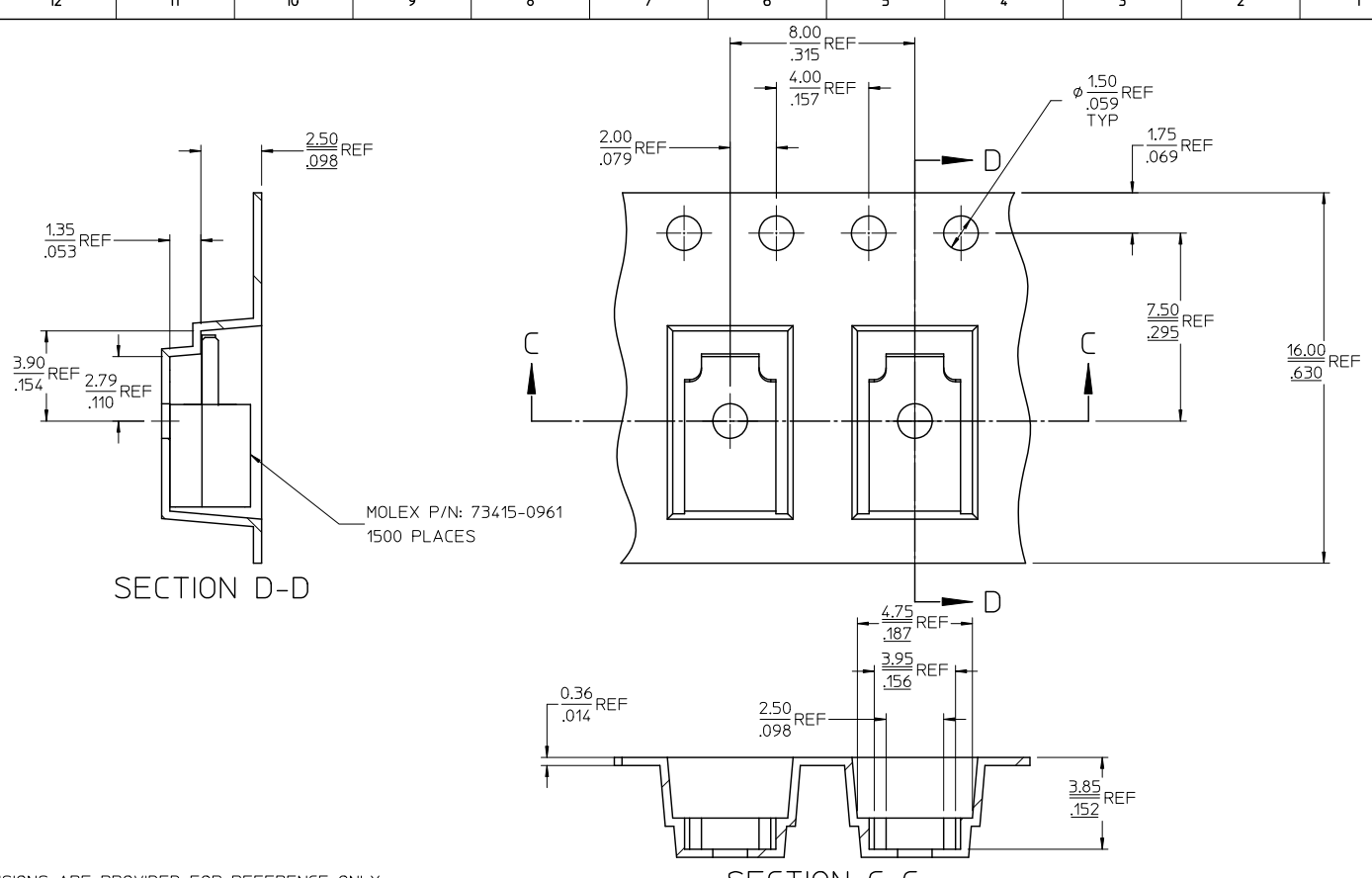
13 12 11 10 9 8 7 6 5 4 3 2 1



NOTE:
 1. DIMENSIONS ARE PROVIDED FOR REFERENCE ONLY.
 PART # 73415-0962/73415-065/73415-0967

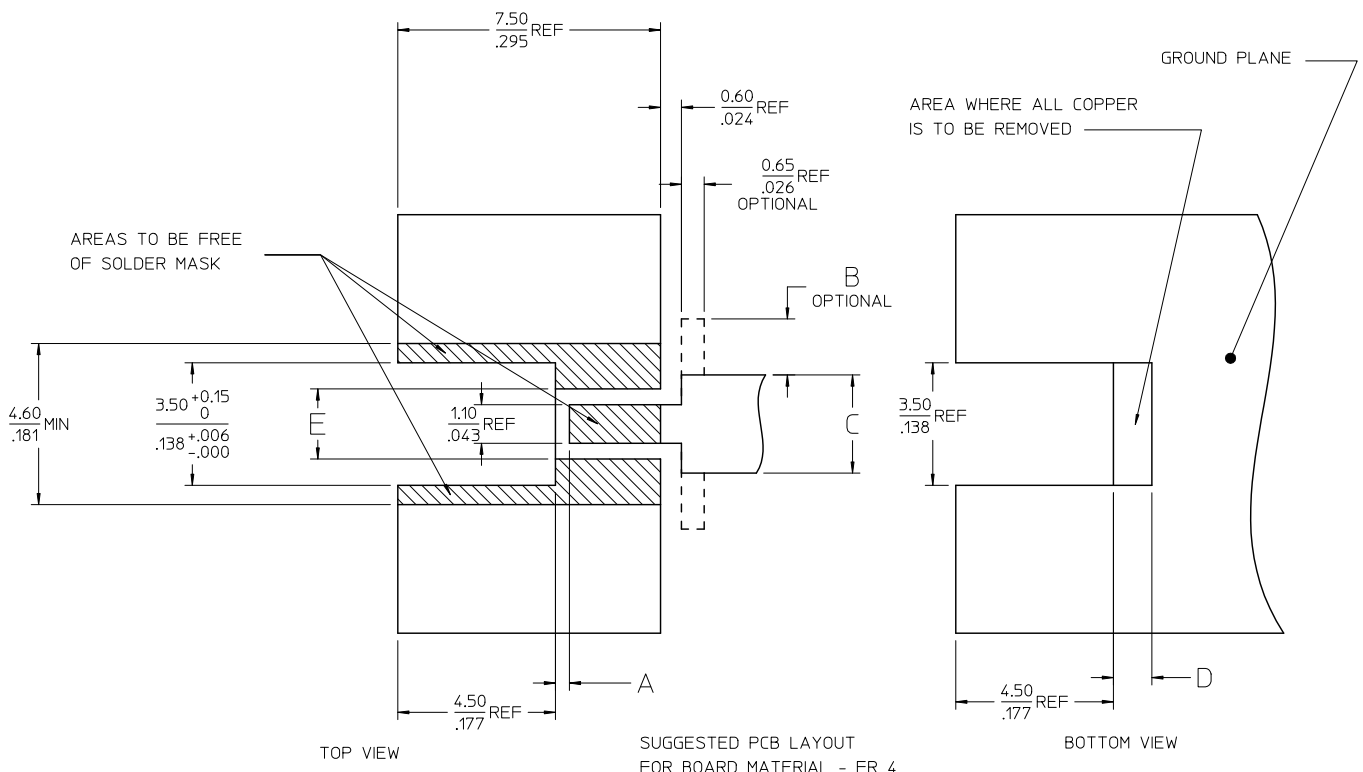
PACKAGING FOR 73415-0968 ONLY
 (INDIVIDUAL BAGS):
 1. PASTE COLOR LABEL OFFERED BY CUSTOMER ON EVERY POLYBAG SHOWING QTY. CUSTOMER P/N:- K00G0027
 2. PASTE COLOR LABEL ON MASTER CARTON SHOWING P/N & QTY.

CHG: SEE SHEET 1 EC NO: URF2011-0222 DRWN: JWIENER 2010/10/08 CHKD: SSS 2010/10/08 APPR: JWIENER 2010/10/11	QUALITY SYMBOLS ▽=0 ▽=0	GENERAL TOLERANCES (UNLESS SPECIFIED)		DIMENSION STYLE MM/IN	SCALE METRIC	DESIGN UNITS METRIC	THIRD ANGLE PROJECTION	
		4 PLACES ±--- ±--- 3 PLACES ±--- ±--- 2 PLACES ±--- ±--- 1 PLACE ±--- ±---	mm INCH	DRAWN BY DATE EDC 1999/02/15	CHECKED BY DATE DHG 1999/02/15	TITLE MMCX JACK PCB EDGE MOUNT 50 OHM MMCX-J/PCB		
		ANGULAR ± 2 °	DRAFT WHERE APPLICABLE MUST REMAIN WITHIN DIMENSIONS	APPROVED BY DATE JWIENER 2010/02/24	MATERIAL NO. DOCUMENT NO. SEE SHEET 1 SD-73415-096			
		SHEET NO. 2 OF 4						



NOTES:
 1. DIMENSIONS ARE PROVIDED FOR REFERENCE ONLY.
 PART # 73415-0963/73415-0964/73415-0966

CHG: SEE SHEET 1 REC. NO: URF2011-0222 DRAWN: JWIENER 2010/10/08 CHKD: SSS 2010/10/08 APPR: JWIENER 2010/10/11	QUALITY SYMBOLS ▽=0 ▽=0	GENERAL TOLERANCES (UNLESS SPECIFIED):		DIMENSION STYLE MM/IN		SCALE METRIC	DESIGN UNITS METRIC		THIRD ANGLE PROJECTION	
		4 PLACES ±--- ±---	mm INCH	DRAWN BY EDC	DATE 1999/02/15	TITLE MMCX JACK PCB EDGE MOUNT 50 OHM MMCX-J/PCB				
		3 PLACES ±--- ±---		CHECKED BY DHG	DATE 1999/02/15	MOLEX INCORPORATED				
		2 PLACES ±--- ±--- 1 PLACE ±--- ±--- ANGULAR ± 2 °		APPROVED BY JWIENER	DATE 2010/02/24	MATERIAL NO. SEE SHEET 1	DOCUMENT NO. SD-73415-096	SHEET NO. 3 OF 4		
DRAFT WHERE APPLICABLE MUST REMAIN WITHIN DIMENSIONS		SIZE C		THIS DRAWING CONTAINS INFORMATION THAT IS PROPRIETARY TO MOLEX INCORPORATED AND SHOULD NOT BE USED WITHOUT WRITTEN PERMISSION						



SUGGESTED PCB LAYOUT FOR BOARD MATERIAL - FR 4

0.80 MM / .031 INCHES	.039 REF	1.00 REF	-----	-----	.055 REF	1.40 REF	.043 REF	1.10 REF	.071 REF	1.80 REF
1.00 MM / .039 INCHES	.035 REF	0.90 REF	.012 REF	0.30 REF	.071 REF	1.80 REF	.047 REF	1.20 REF	.065 REF	1.64 REF
1.60 MM / .063 INCHES	.016 REF	0.40 REF	.063 REF	1.60 REF	.110 REF	2.80 REF	.091 REF	2.30 REF	.059 REF	1.50 REF
PCB THICKNESS	IN	MM	IN	MM	IN	MM	IN	MM	IN	MM

A		B		C		D		E	
CHG: SEE SHEET 1 EC: NIP: URF: 2011-0222 F4 DRWN: JWIENER 2010/10/08 CHK: SSS 2010/10/08 APPR: JWIENER 2010/10/11	QUALITY SYMBOLS ▽=0 ▽=0	GENERAL TOLERANCES (UNLESS SPECIFIED)		DIMENSION STYLE		SCALE	DESIGN UNITS	THIRD ANGLE PROJECTION	
				MM/IN					
				DRAWN BY DATE		TITLE			
				EDC 1999/02/15		MMCX JACK PCB EDGE MOUNT 50 OHM MMCX-J/PCB			
		CHECKED BY DATE		APPROVED BY DATE		MATERIAL NO.		DOCUMENT NO.	
		DHG 1999/02/15		JWIENER 2010/02/24		MOLEX INCORPORATED		SD-73415-096	
		APPROVED BY DATE		MATERIAL NO.		DOCUMENT NO.		SHEET NO.	
		JWIENER 2010/02/24		MOLEX INCORPORATED		SD-73415-096		4 OF 4	
		APPROVED BY DATE		MATERIAL NO.		DOCUMENT NO.		SHEET NO.	
		JWIENER 2010/02/24		MOLEX INCORPORATED		SD-73415-096		4 OF 4	

1b_frame_C.P. AM.T
Rev. D 2004/06/28