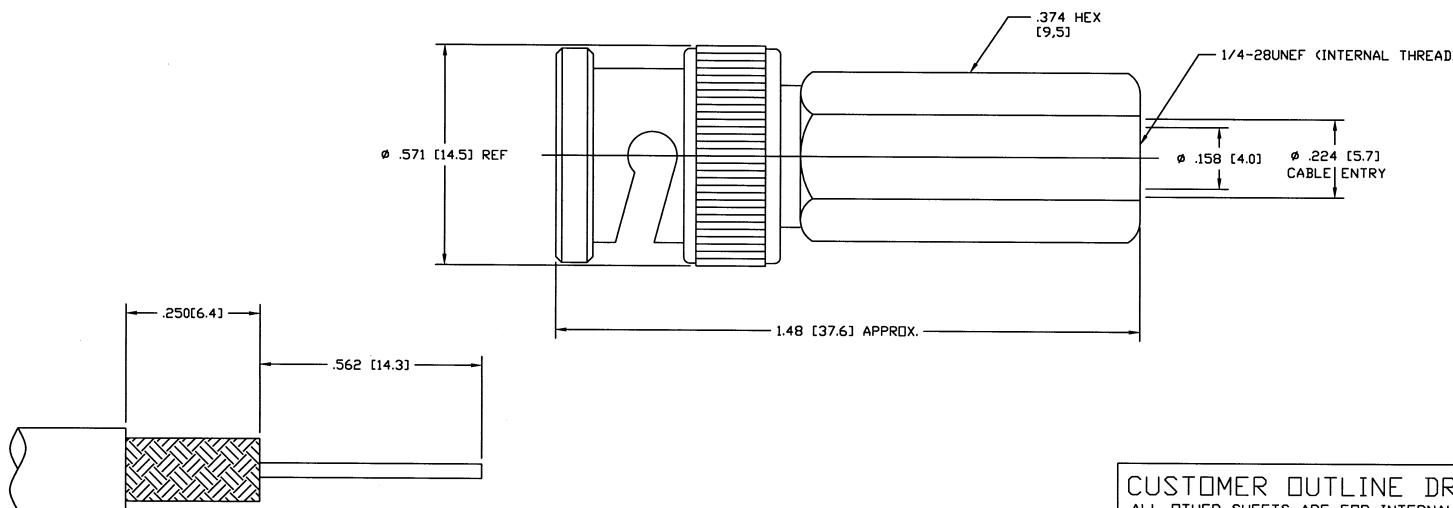


NOTES:

1. MATERIALS OF CONSTRUCTION:
SHELL, HEX BODY, RETAINER RING = BRASS (QQ-B-626), NICKEL PLATED (.000100 MIN)
INSULATORS (2) = DELRIN, COLOR NATURAL
CONTACT PIN = BRASS (QQ-B-626), GOLD PLATED (.000003 MIN)
GASKET = SILICONE RUBBER, COLOR RED
WASHER = BRASS (QQ-B-613), NICKEL PLATED (.000100 MIN)
SPRING = COPPER ALLOY, NICKEL PLATED (.000200 MIN)
4. PACKAGED IN BAG 999-344.
5. BUSHING SUPPLIED FOR RG-62 CABLE.
6. UNLESS OTHERWISE SPECIFIED, ALL DIMENSIONS ARE AFTER PLATING.
7. DO NOT SCALE THIS DRAWING.

31-5136-RFX		REVISIONS			
DRAWING NO.	REV	DESCRIPTION	DATE	ECO	APPR
THIRD ANGLE PROJ.		RELEASE TO MFG.			
	B	SEE SHEET 1	1/28/99	42790	CPH/
	C	SEE SHEET 1	11/14/01	43897	CPH/



CUSTOMER OUTLINE DRAWING
ALL OTHER SHEETS ARE FOR INTERNAL USE ONLY

ENGLISH [METRIC]

UNLESS OTHERWISE SPECIFIED, DIMENSIONS ARE IN INCHES AND TOLERANCES ARE:
 2 PLACE DECIMAL 3 PLACE DECIMAL
 ±.015 (0,381 mm) ±.005 (0,127 mm)
 ANGLES ± 1°

NOTICE - These drawings, specifications, or other data (1) are, and remain the property of Amphenol Corp. (2) must be returned upon request; and (3) are confidential and not to be disclosed to any person other than those to whom they are given by Amphenol Corp. The furnishing of these drawings, specifications, or other data by Amphenol Corp., or to any other person to anyone for any purpose is not to be regarded by implication or otherwise in any manner licensing, granting rights or permitting such holder or any other person to manufacture, use or sell any product, process or design, patented or otherwise, that may in any way be related to or disclosed by said drawings, specifications, or other data.

MATERIAL	DRAWN	DATE	TITLE	Amphenol Amphenol Corporation RF/Microwave Operations Danbury, Conn. U.S.A. 06810
	C. McGRATH	12/21/98		
REFERENCE	ENGINEER	DATE	BNC PLUG SURE TWIST® FOR RG-59 CABLE, 50 OHM	SCALE: 4:1
	T. AUBIN	12/21/98		SHEET 2 OF 2
	APPROVED	DATE		
	T. AUBIN	1/21/99		
	CAD FILE	CODE ID	DWG SIZE	DRAWING NO.
	H:\DEPT611\BNC\031\ASSY\5136\RFXSHT2	74868	B	31-5136-RFX
				REV
				C