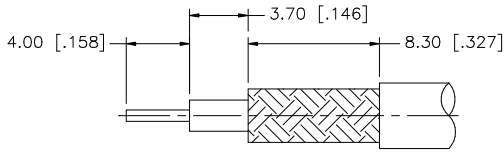
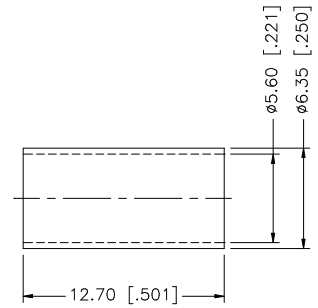
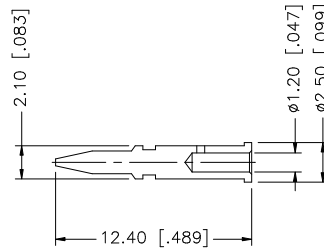
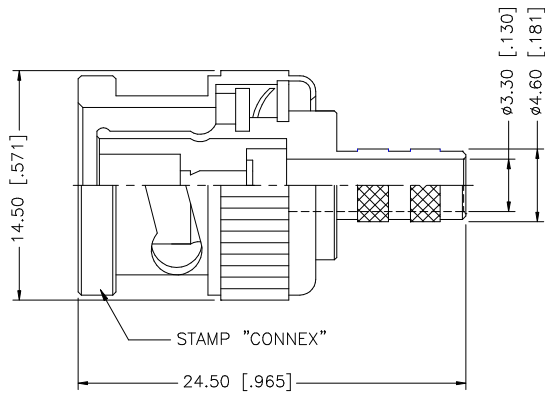


REV.	DATE	DESCRIPTION
NC	07/29/98	INITIAL RELEASE
A	11/05/06	UPDATE DRAWING FORMAT



RECOMMENDED
CABLE STRIPPING DIMS.



				UNLESS OTHERWISE SPECIFIED DIMENSIONS ARE IN MILLIMETERS; DIMENSIONS IN [] ARE IN INCHES AND FOR CUSTOMER REFERENCE ONLY.	APPROVALS	DATE	Amphenol Connex					
8					DRAWN	G.R.S.					11/05/06	BNC CRIMP PLUG - LMR 200
7					CHECKED			PART NO. 112597				
6					ISSUED							DWG. NO. 112597.DWG
5					SHEET	1 OF 1		REV. A SIZE A SCALE NA				
4	FERRULE	COPPER	NICKEL	1	UNLESS OTHERWISE SPECIFIED TOLERANCES FOR MILLIMETERS ARE: 0.5 - 8mm ± 0.20mm 8 - 30mm ± 0.40mm 30 - 120mm ± 0.50mm UNLESS OTHERWISE SPECIFIED TOLERANCES FOR INCHES ARE: .020 - .315 = ± 0.007" .315 - 1.180 = ± 0.015" 1.180 - 4.724 = ± 0.020"							DO NOT SCALE DRAWING
3	CONTACT PIN	BRASS	GOLD	1								
2	INSULATOR	TEFLON	NATURAL	1	CAD FILE C:/112/112597.DWG							
1	BODY	BRASS	NICKEL	1								
	DESCRIPTION	MATERIAL	FINISH	QTY								